

Remote Temperature Probe for iTempo®, iTempoPlus®, AirTempo®, iSteam®3, Tempo®, TempoPlus®, eTempo® and eTempoPlus® Controls

The Remote Temperature Probe is required when the iTempo, iTempoPlus, AirTempo, iSteam3, Tempo, TempoPlus, eTempo and eTempoPlus controls are installed outside the steam room.

CAUTION The Remote Temperature Probe (PN MST5) is for use with iTempo, iTempoPlus, AirTempo, iSteam3, Tempo, TempoPlus, eTempo and eTempoPlus controls only. Do not use with any other controls. Do not use any other temperature probe with the iTempo, iTempoPlus, AirTempo and iSteam3 controls. Noncompatible products may result in an inoperative control and a hazardous condition.

CAUTION Install the iTempo, iTempoPlus, AirTempo, iSteam3, Tempo, TempoPlus, eTempo and eTempoPlus controls according to the Installation and Operation instructions supplied with the controls. Failure to do so may result in an inoperative control and a hazardous condition.

1. Determine the location of the Remote Temperature Probe: The Probe must be installed:
 - a. On a vertical surface
 - b. 4-5 feet above the floor
 - c. Locate the MST5 Temperature Sensor in a location representative of the desired steambathing temperatures. Do not locate the MST5 above or near the steam head or direct steam emissions. The probe has an integral 30 ft. cable. Ensure that the probe and/or control are located accordingly. Contact a MrSteam technical service representative if a longer cable is required.
2. Drill a 5/16 inch diameter hole in the wall as shown in Diagram 1. Do not oversize or undersize the hole. Clean area thoroughly.
3. Remove the knock-out from the steam generator jacket as shown in Diagrams 2 and 3.
4. Insert the remote temperature probe cable through the knock-out and connect to the connector on the steam generator printed circuit board marked "TEMP PROBE" as shown in Diagrams 2 and 3.

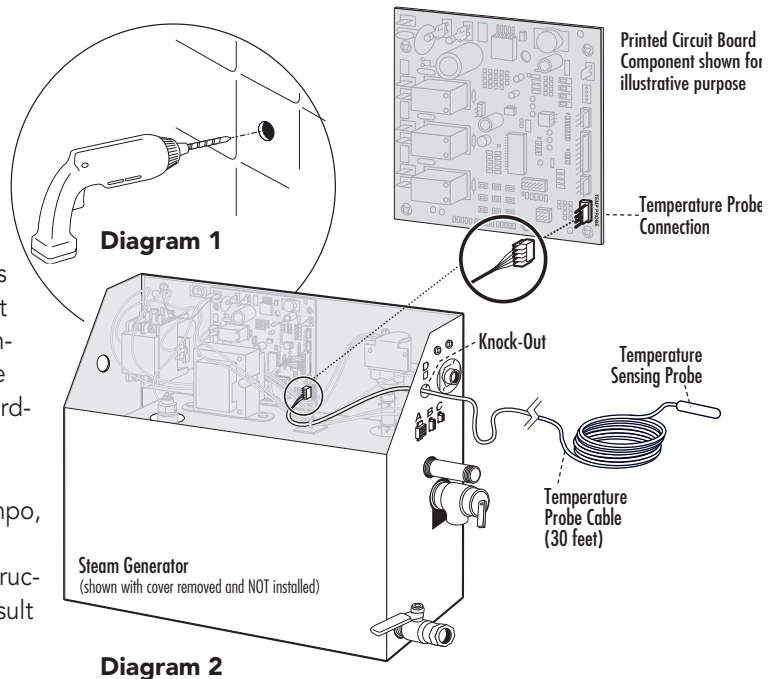


Diagram 2

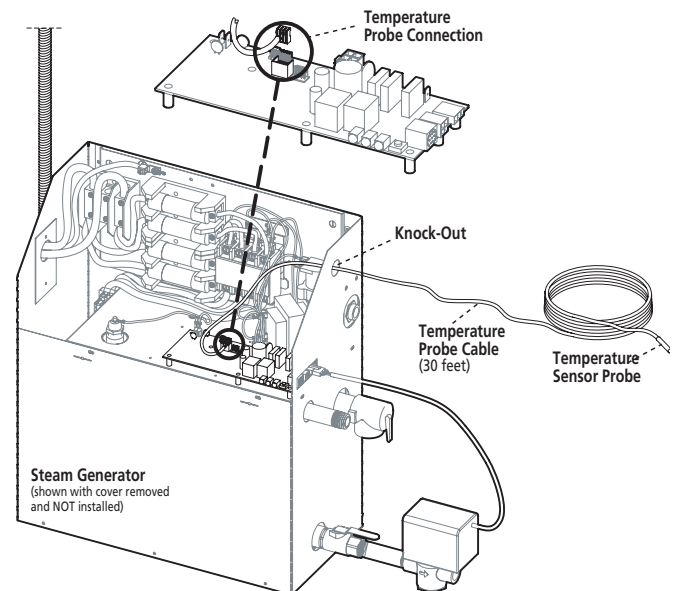


Diagram 3 (E version)

DRAWINGS NOT TO SCALE

NOTE: For Illustrative Purposes Only. Consult with qualified designer, architect or contractor for steam room construction

IMPORTANT NOTE: As you follow these instructions, you will notice warning and caution symbols. This blocked information is important for the safe and efficient installation and operation of this generator.

These are types of potential hazards that may occur during this installation and operation:

WARNING states a hazard may cause serious injury or death if precautions are not followed.

CAUTION signals a situation where minor injury or product damage may occur if you do not follow instructions

IMPORTANT NOTE: This highlights information that is especially relevant to a problem-free installation.

5. Route the end of the temperature probe cable with the temperature probe through the wall into the steam room as shown in Diagram 4.

IMPORTANT NOTE: Do not strain, staple, pinch or otherwise damage the probe cable.

6. With a minimal length of the cable exposed apply silicone (*provided*) to the hole in the wall as required to create a moisture seal as shown in Diagram 4.

7. Push the Temperature cable and probe into hole in the wall as required to create a moisture seal as shown in diagram 4.

! WARNING Insure a minimum of 1/4" of the temperature probe is exposed to the air. Failure to do so may result in an inoperative control and a hazardous condition.

! CAUTION The exposed area of the temperature probe must be free of silicone or any materials that prevent direct exposure to the steam room air. Failure to do so may interfere with the ability to sense temperature and may result in excessive steam room temperatures.

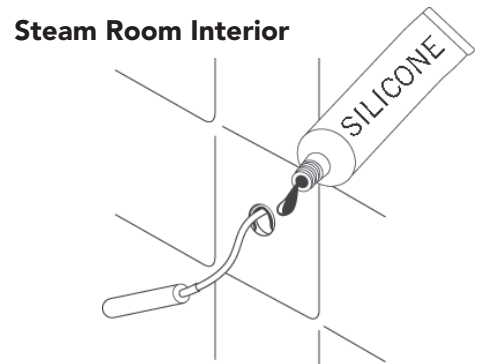


Diagram 4

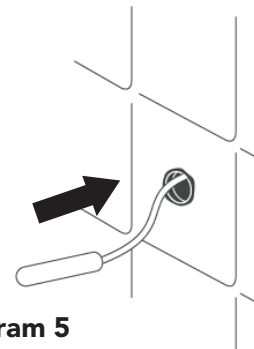
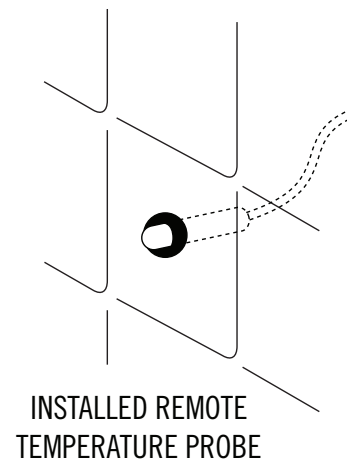
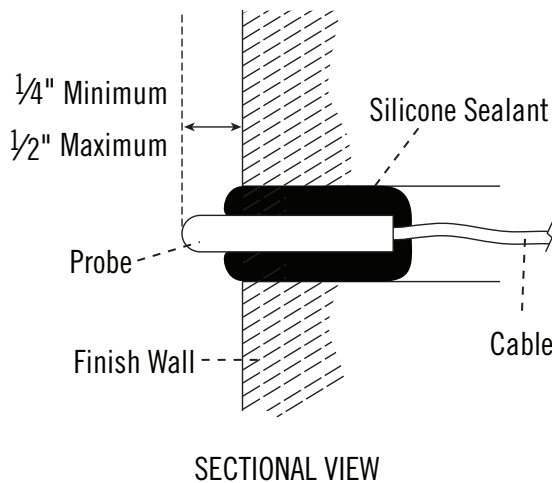


Diagram 5



All drawings for illustrative purposes only

All information in these instructions is based on the latest product information available at the time of publication. MrSteam reserves the right to make changes at any time without notice.