

**IMPORTANT:** LEAVE THIS MANUAL WITH  
THE OWNER/OPERATOR OR ATTENDANT



Installation, Operation, and Maintenance Manual

ChromaSteam®3

mr.steam® | Feel Good Inc.®

# IMPORTANT SAFETY INFORMATION

## READ ME FIRST:

1. Read and follow all instructions within this technical manual.
2. Heed all warnings, cautions, notices, and important notes.
3. Save this technical manual and leave with the homeowner.

## ABOUT WARNINGS, CAUTIONS, NOTICES, AND IMPORTANT NOTES:

As you follow the instructions in this technical manual, you will see four types of callouts: **WARNINGS, CAUTIONS, NOTICES**, and **IMPORTANT NOTES**. This blocked information is important for the safe and efficient installation, operation, and maintenance of the ChromaSteam3. These callouts are described as follows:



Indicates a potentially hazardous situation, which, if not avoided, may result in death or serious injury.

**NOTICE**

Indicates a situation, which, if not avoided, may result in property damage.



Indicates a potentially hazardous situation, which, if not avoided, may result in minor or moderate injury.

**IMPORTANT NOTE** Indicates information that is especially relevant to a problem-free installation.

## SAFETY INSTRUCTIONS:

To prevent personal injury and/or product damage, please read the following important safety instructions carefully before installing the ChromaSteam3:

- Do not install the ChromaSteam3 controller near any heat sources.
- Clearance and minimum distance between the various components of the ChromaSteam3 and the surrounding structure are not specified as long as they are sufficient so that the ambient temperature around the apparatus does not exceed 140 °F (60 °C).
- Do not defeat the safety purpose of the polarized and/or grounding type plug. A polarized plug has two blades, with one wider than the other. A grounding type plug has two blades and a third grounding prong. The wide blade or the third prong are provided for your safety. If the provided plug does not fit into your outlet, consult an electrician for replacement of the obsolete outlet.
- Protect the power cords from being walked on or pinched, particularly at plugs, convenience receptacles, and at the point where the cords exit from the apparatus.
- Only use attachments/accessories specified by the manufacturer.
- All servicing to be performed by qualified service personnel. Servicing is required when the ChromaSteam3 is damaged in any way, including when the power-supply cord or plug is damaged, liquid is spilled into or objects fall into the controller, the controller is exposed to rain or moisture, the fixture or controller does not operate normally, or the fixture or controller is dropped.
- Do not disassemble or alter the ChromaSteam3 fixture or controller in any way.
- Clean the ChromaSteam3 fixture and controller with a dry cloth only. Beware of the application of some products commonly used against corrosion (such as WD-40® family products), as some industrial oils can have negative chemical reactions and damage the housing materials of the ChromaSteam3 fixture and controller. Any other materials that may come in contact with the ChromaSteam3 must be carefully evaluated under end-use conditions for compatibility.



These instructions are for use by qualified service personnel only. To reduce the risk of electric shock, do not perform any servicing, other than that contained in these instructions.

**NOTE:** All information in this technical manual is based on the latest product information available at the time of publication. MrSteam reserves the right to make changes at any time without notice.

## TABLE OF CONTENTS

---

### INSTALLER INSTRUCTIONS

**General Information**

Box Contents ..... 4  
Color Matching the Connections ..... 4

**General Installation** ..... 5

**Installing the ChromaSteam3 Control Box** ..... 6

Control Box Dimensions ..... 6  
Locating the Control Box ..... 6  
Installing the Control Box ..... 6

**Installing the ChromaSteam3 Fixture** ..... 7

Fixture Dimensions ..... 7  
Installing the Junction Box ..... 8-9  
Installing the Fixture ..... 10

**Connecting the ChromaSteam3 Fixture to the Control Box** ..... 11

**Connecting the ChromaSteam3 Control Box to the Generator** ..... 12

**Connecting Multiple Accessories to the Generator** ..... 12

**ChromaSteam3 Specifications** ..... 13

---

### HOMEOWNER/END-USER INSTRUCTIONS

**About ChromaSteam3 and Warranty** ..... 14

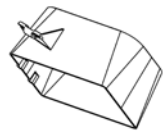
**Operating ChromaSteam3** ..... 15



# INSTALLER INSTRUCTIONS

## General Information

### ChromaSteam3 Box Contents:



Junction Box



ChromaSteam3  
Fixture



30-foot  
Cable

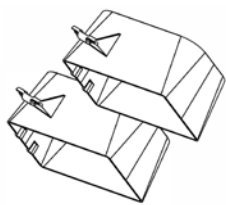


Control Box

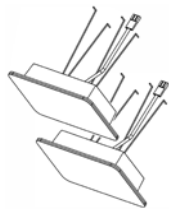


Tube of  
Silicone

### ChromaSteam3 Duo Box Contents:



(2) Junction Boxes



(2) ChromaSteam3  
Fixtures



30-foot  
Cable



Duo  
Cable



Control Box



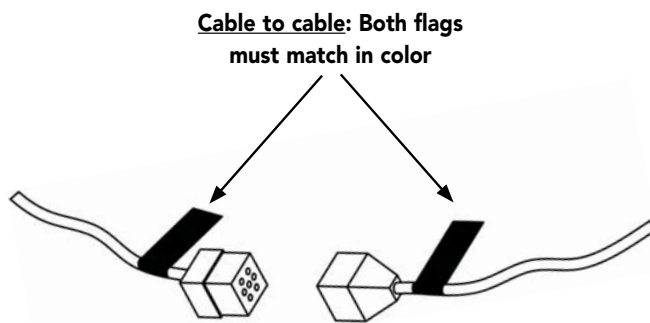
(2) Tubes  
Silicone

## About color-matching the connections between cables and accessories

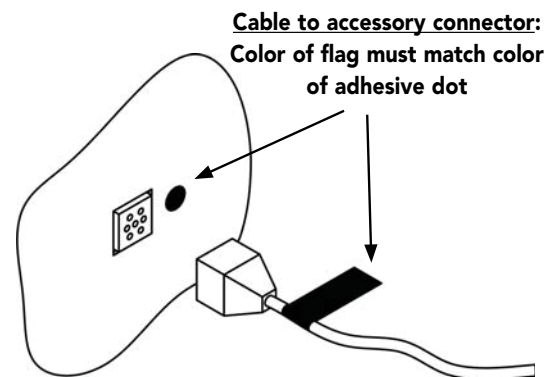
In order to help ensure that MrSteam cables and accessories are connected correctly, all cable ends have been color-coded with flags (**Figure 1**), and all accessory connectors/ports have been color-coded with adhesive dots (**Figure 2**).

When connecting cables and accessory connectors, ensure that their respective flags and/or adhesive dots match in color.

**Figure 3** shows the colors (purple, white, blue, red, and yellow) used between each ChromaSteam3 connection.



**Figure 1**



**Figure 2**

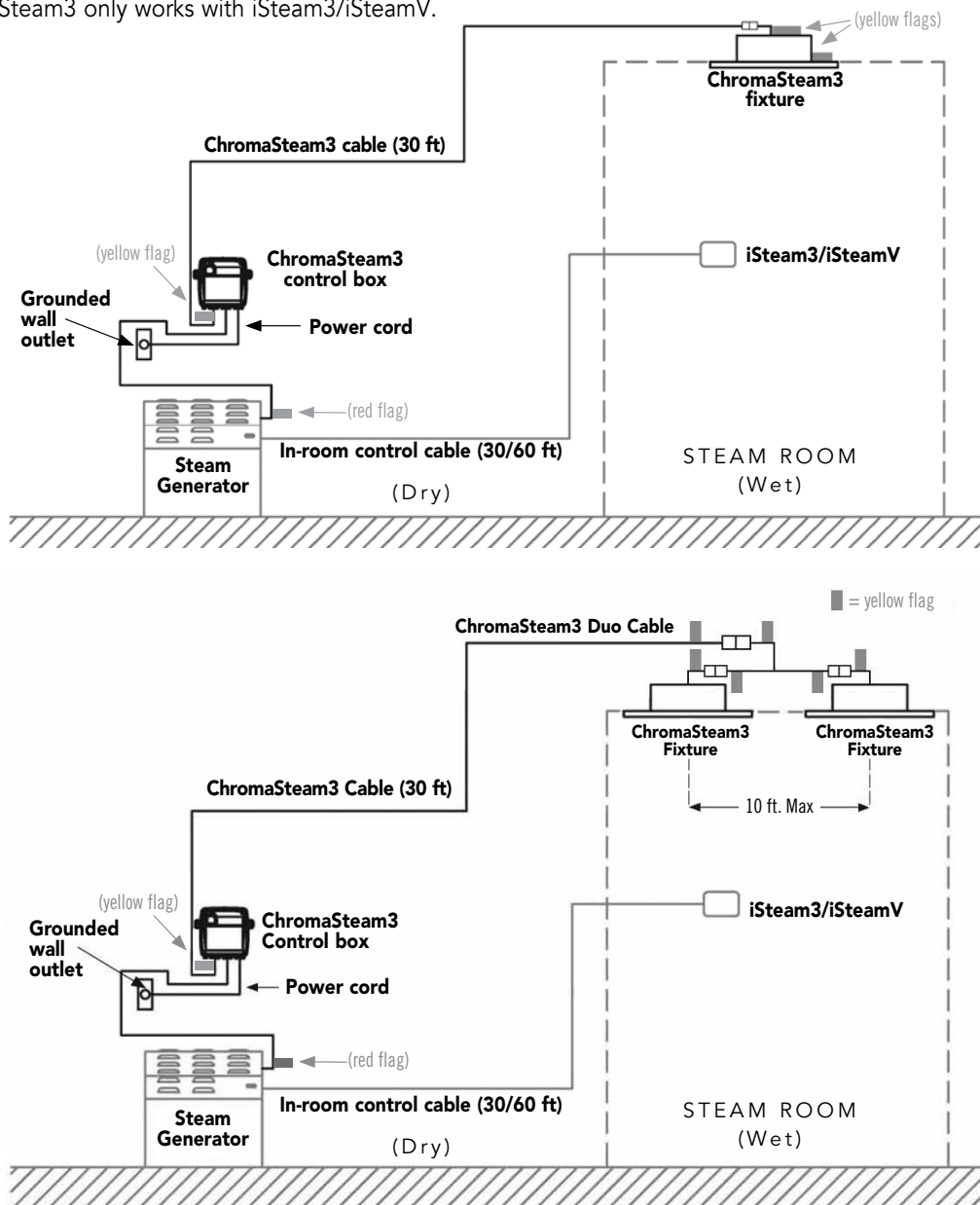
*All drawings are for illustrative purposes only.*

## General Installation

**Figure 3** shows how the ChromaSteam3 fixture and control box interconnect with each other, and with the steam generator and iSteam3/iSteamV.

### IMPORTANT NOTES

- The included ChromaSteam3 control cable is 30 feet long. Ensure that the ChromaSteam3 fixture and control box are located accordingly. Contact MrSteam to purchase an optional 60-foot cable (PN 104268-60).
- ChromaSteam3 Duo cable has (2) 5 feet long extensions, it enables (2) ChromaSteam3 fixtures to be located at a maximum of 10 feet apart.
- The cord between the control box and steam generator is 5 feet long.
- ChromaSteam3 only works with iSteam3/iSteamV.

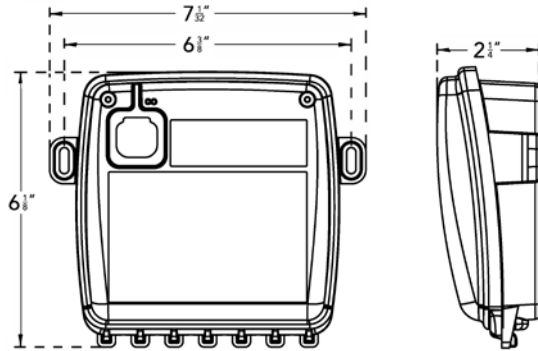


**Figure 3**

All drawings are for illustrative purposes only.

## Installing the ChromaSteam3 Control Box

### Control Box Dimensions



#### NOTICE

- To prevent product or property damage, do not expose control box to temperatures above 140 °F (60 °C). Do not locate control box in an attic or any location where ambient temperatures may exceed 140 °F (60 °C).
- Do not locate control box next to heat sources, such as hot air registers, air conditioner condensers, etc.
- The control box powers the ChromaSteam3 fixture with 5VDC 1.6A maximum.

### Locating the Control Box

Determine the desired location of the ChromaSteam3 control box outside the steam room in a dry location.

**⚠ WARNING** **Shock hazard.** Do not place the control box in a location where it can get wet.

**IMPORTANT NOTE:** The ChromaSteam3 control cable is 30 feet long. Ensure that the ChromaSteam3 fixture and control box are located accordingly. Contact MrSteam to purchase an optional 60-foot cable (PN104268-60).

### Installing the Control Box

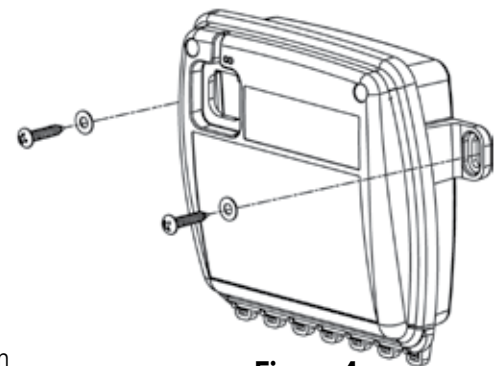
Using screws and washers, affix the control box to a stable vertical surface (e.g., stud) using the mounting holes on either side of the control box (**Figure 4**).

#### NOTICE

- The control box must be mounted in a vertical position as shown in **Figure 4** to allow proper heat dissipation. Failure to mount as shown may cause thermal protection shut off.
- To prevent product or property damage, do not expose control box to temperatures above 140 °F (60 °C). Do not locate control box in an attic or any location where ambient temperatures may exceed 140 °F (60 °C).
- In the event the control box requires servicing, ensure that it is installed in an accessible location.

**IMPORTANT NOTE:** The following materials (not included) are recommended to install the ChromaSteam3 control box:

- Two #10 screws of appropriate length with round, truss, or pan head.
- Two washers with 0.5" outer diameter x 0.0625" thickness (12 mm outer diameter x 1.5 mm thickness).



**Figure 4**

*All drawings are for illustrative purposes only.*

# Installing the ChromaSteam3 Fixture

## Fixture Dimensions

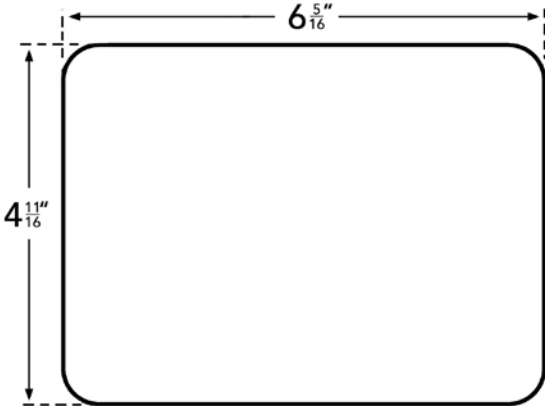


Figure 5

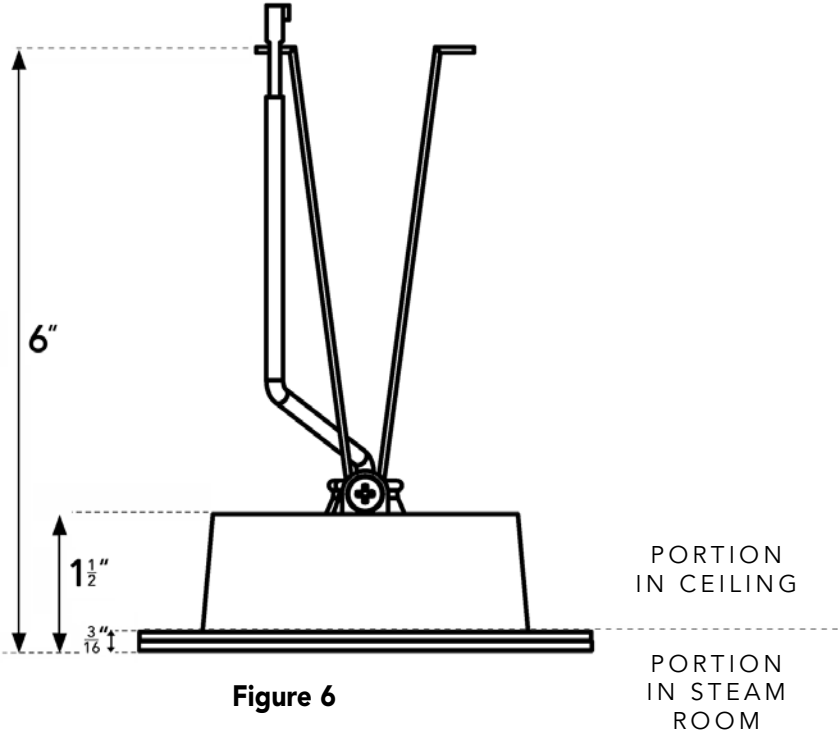


Figure 6

All drawings are for illustrative purposes only.

## Installing the Junction Box

### Functions of the Junction Box:

1. Allows precisely location of the ChromaSteam3 fixture within the steam room ceiling.
2. Provides a secure and easily identifiable holder for the control cable while the steam room is being constructed.
3. Works with the ChromaSteam3 fixture's retention springs to prevent the fixture from falling and injuring a person in the enclosure.

### Locating the Fixture:

1. Locate the fixture in a location for optimal lighting within the enclosure.
2. ChromaSteam3 is for mood lighting only. Not to be used as a primary lighting source.
3. Do not locate the fixture in direct shower spray, near direct steam emission, or in any location where a lighting fixture may be damaged.

**IMPORTANT NOTE:** Maximum distance between the two fixtures is 10 feet.

### To Install the Junction Box:

1. Remove the two screws from the interior clips of the junction box, and hand-screw them into the wings of the junction box (**Figure 7**).
2. Remove one of the four knockouts from the junction box (**Figure 7**). the resulting hole will allow routing of the 30-foot control cable or Duo cable into the junction box..
3. Locate the two tabs on the junction box, and line them up against a ceiling joist. The tabs locate the junction box proud of (slightly raised from) the joist. Screw the two screws into the ceiling joist to secure the junction box (**Figure 8**).
4. Route one end of the 30-foot control cable or one of the longer ends of the Duo cable (with a yellow flag stating "To Fixture") through the knockout into the junction box, and fasten it to one of the interior clips to hold it in place (**Figure 9**). Note that both longer ends of the 30-foot control cable are the same.

**IMPORTANT NOTE:** Contact MrSteam to purchase an optional 60-foot cable (Part No. 104268-60).

#### NOTICE

- Be careful not to strain, staple, pinch, or otherwise damage the cable.
  - Route cable as required to permit replacement.
  - Cable should be run in dedicated conduit to facilitate installation, service, and replacement.
  - To prevent damage to the cable, do not route cable close to hot water, steam piping, or any heat source.
5. After the junction box is completely installed, ensure that you create an opening in the steam room ceiling that aligns with the junction box (**Figure 10**).

#### WARNING

- Installation to be performed by a qualified and licensed electrician.
- **Shock Hazard.** Ensure that power is turned off during installation. Turn off power at breaker panel.

#### CAUTION

Failure to use the junction box with correctly installed retention springs may result in the ChromaSteam3 fixture falling and causing injury.

#### NOTICE

- To prevent leaks, do not install the ChromaSteam3 fixture where direct contact with steam emission or water spray could occur.
- The ChromaSteam3 fixture is not intended to be installed underwater. To prevent leaks, do not install the ChromaSteam3 fixture in a location where it could become submerged.
- The ChromaSteam3 fixture is not rated for insulation contact. Insulation must be a minimum of 3" away from all sides of the ChromaSteam3 fixture assembly to prevent damage to the fixture.



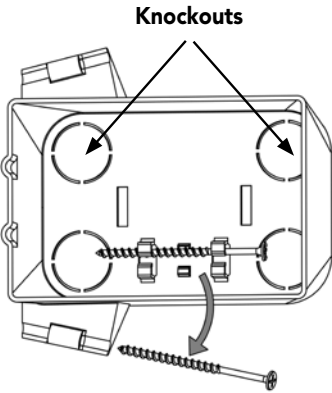


Figure 7

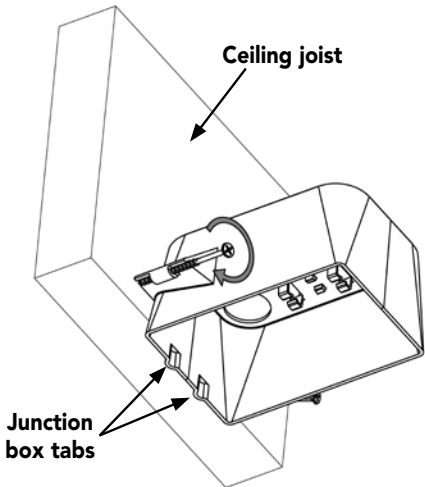


Figure 8

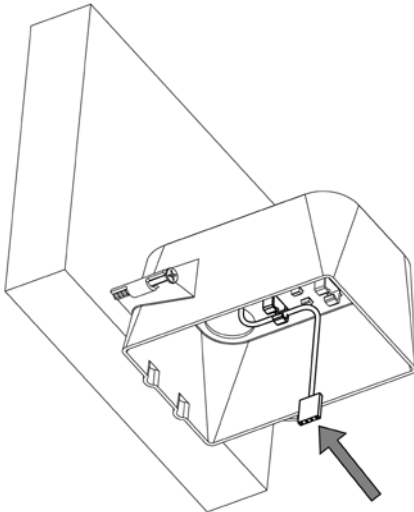


Figure 9

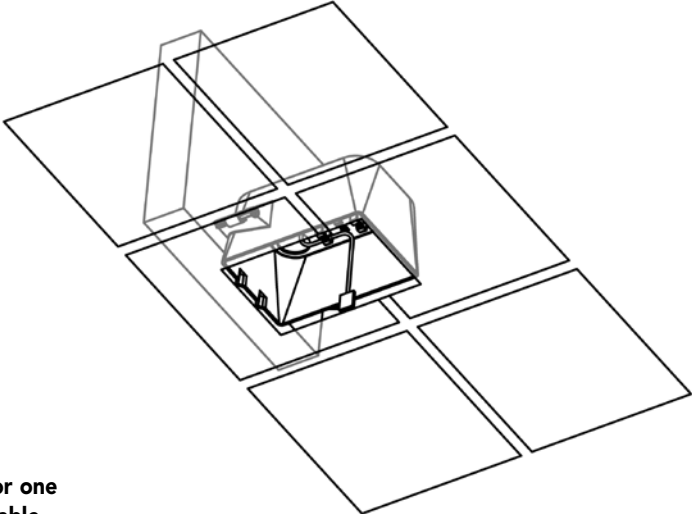


Figure 10

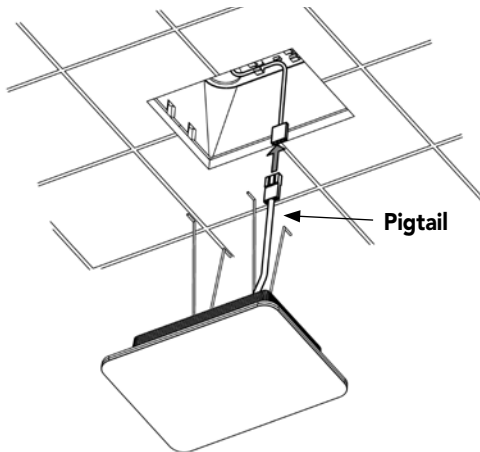
## Installing the Fixture

### To Install the Fixture:

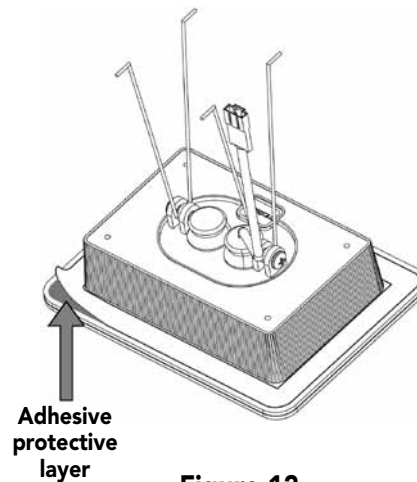
1. Connect the ChromaSteam3 fixture's pigtail to the 30-foot control cable or Duo cable in the junction box (**Figure 11**).

**IMPORTANT NOTE:** Test that the fixture operates correctly prior to continuing with the following steps.

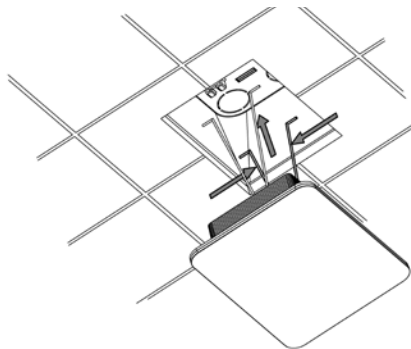
2. Clean the surface of the ceiling to ensure the double-stick adhesive of the fixture bonds completely to the ceiling.
3. Peel off and discard the protective layer from the fixture's double-stick adhesive (**Figure 12**).
4. Squeeze the retention springs on the back of the fixture and fit them into the junction box (**Figure 13**). Insert the fixture into the junction box and affix it to the ceiling, being careful not to pinch the pigtail/control cable/duo cable (note that the pigtail/control cable/duo cable is not shown in **Figure 13**). Press firmly around edges of the fixture to ensure adhesion to ceiling.
5. Apply a bead of silicone around the perimeter of the fixture (**Figure 14**) as required to create a moisture seal between the fixture and the steam room ceiling. Use tape or other means as required to keep the fixture in position as the silicone cures.



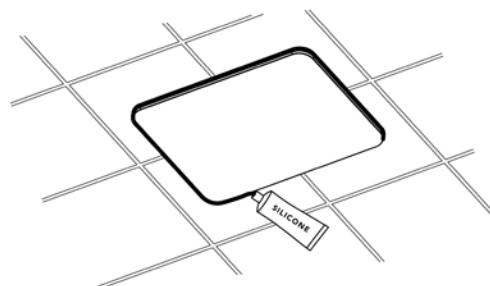
**Figure 11**



**Figure 12**



**Figure 13**



**Figure 14**

*All drawings are for illustrative purposes only.*

## Connecting the ChromaSteam3 Fixture to the ChromaSteam3 Control Box

### ⚠ WARNING

- **Shock Hazard.** Ensure that power is turned off during installation. Turn off power at breaker panel.
- **Shock Hazard.** To prevent electric shock, do not remove the screws on the back of the control box. No user-serviceable parts inside. Refer servicing to qualified service personnel only.

### At this point in the installation:

- For installation with one ChromaSteam3, the ChromaSteam3 fixture's pigtail has been connected to one end of the 30-foot control cable (see page 8), and the other end has been routed through conduit so that it is located for connection to the control box.
- For installation with two ChromaSteam3, the longer end of Duo cable (with a yellow flag stating "To fixture") has been routed through conduit, the ChromaSteam3 fixture's pigtail has been connected to the longer end of Duo cable (with a yellow flag stating "To Fixture"), one end of 30-foot control cable has been located for connection to the control box. Connect the shorter end of Duo cable (with a yellow flag stating "To 30'/60' Cable") to the other end of the 30-foot control cable.

1. Using a Phillips-head screwdriver, remove the two cover screws from the front of the ChromaSteam3 control box (**Figure 15**), and remove the cover from the unit (**Figure 16**).
2. Insert the free end of the control cable into the control box's LED receptacle (**Figure 17**).
3. Route the control cable through an empty slot in the lower portion of the control box's housing (**Figure 18**).
4. Replace and secure the control box cover using the two cover screws.

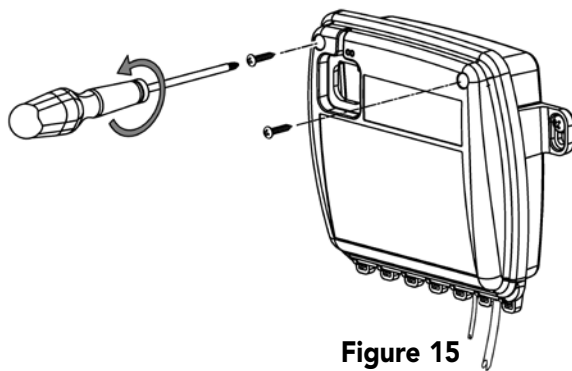


Figure 15

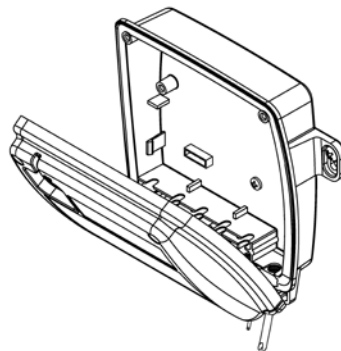


Figure 16

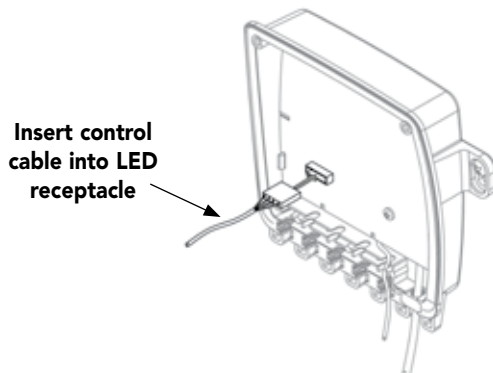


Figure 17

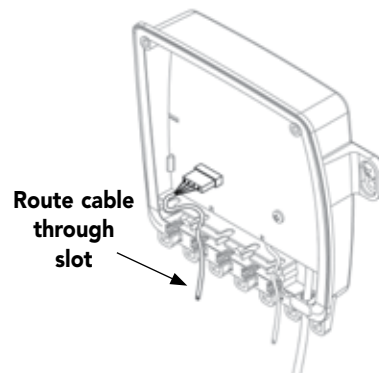


Figure 18

All drawings are for illustrative purposes only.

## Connecting the ChromaSteam3 Control Box to the Steam Generator

The final connection is made from the ChromaSteam control box (Figure 19) to an internal connector in the steam generator.

**⚠ WARNING Shock Hazard.** Power must be disconnected at the main electrical supply before removing the steam generator cover. For information about the steam generator, refer to the installation, operation, and maintenance manual supplied with the steam generator (also found at [www.mrsteam.com/technical](http://www.mrsteam.com/technical)).

1. Remove the steam generator cover, and remove knockout on steam generator.
2. Connect the controller cord directly to the steam generator's circuit board, **Figure 20**.
3. Plug the ChromaSteam3 control box power cord into a 120V grounded electrical outlet.

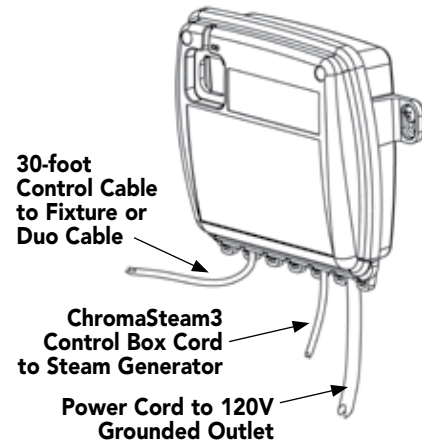


Figure 19

## Connecting Multiple Accessories to the Steam Generator

To operate the SteamLinX, AudioSteam3 and ChromaSteam3 via iSteam3/iSteamV, you must connect the accessories to an internal connector in the steam generator.

**⚠ WARNING Shock Hazard.** Power must be disconnected at the main electrical supply before removing the steam generator cover. For information about the steam generator, refer to the installation, operation, and maintenance manual supplied with the steam generator (also found at [www.mrsteam.com/technical](http://www.mrsteam.com/technical)).

1. Remove the steam generator cover and knockout on the steam generator.
2. Connect the accessories' controller cord directly to the steam generator's circuit board (Figure 20).
3. If the circuit board is not set up to receive multiple connections, please contact technical support.

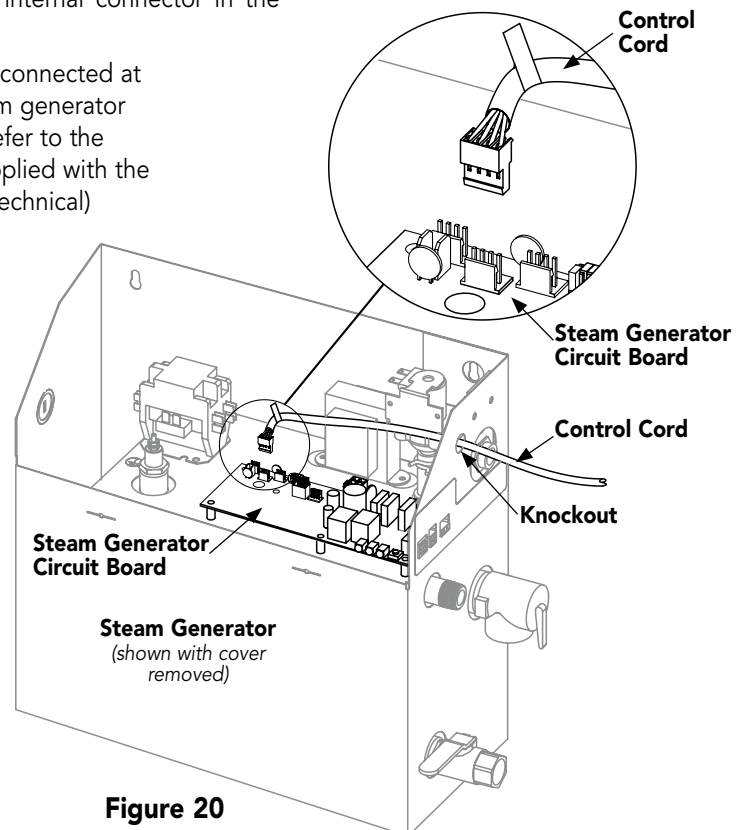


Figure 20

All drawings are for illustrative purposes only.

## ChromaSteam3 Specifications

ENVIRONMENTAL RATINGS	CONTROL BOX	FIXTURE
Operating temperature:	-4 °F (-20 °C) to 140 °F (60 °C)	-4 °F (-20 °C) to 140 °F (60 °C)
Storage temperature:	-22 °F (-30 °C) to 185 °F (85 °C)	-22 °F (-30 °C) to 185 °F (85 °C)
Humidity:	70% max	100%, condensing
Water resistance:	IPX5	Designed to IP67

MECHANICAL	CONTROL BOX	FIXTURE
Weight:	1.9 lb (0.87 Kg)	1 lb (0.45 Kg)
Dimensions (W x H x D):	7 1/32" x 6 1/8" x 2 1/4" (179 mm x 156 mm x 57 mm)	6 5/16" x 4 11/16" x 1 1/2" (161 mm x 120 mm x 38 mm)

LINE INPUT	CONTROL BOX
Input voltage:	120VAC 50/60Hz

LED OUTPUTS	CONTROL BOX
	5 VDC 1.6A Max
	up to 78,000 colors
	2 rainbow effects with smooth transition

# HOMEOWNER/END-USER INSTRUCTIONS

## About ChromaSteam3

Like water and heat, light is a fundamental life force and may improve your physical and mental state. The Mr.Steam ChromaSteam®3 system integrates light with steam, creating chromatherapy environments rich with color, mood, and warmth:

- ChromaSteam3 suffuses the steam shower with a spectrum of color from airy blue to sensual red.
- Vapor-sealed, low voltage LED module yield long-lasting high performance and cool operation.
- ChromaSteam3 offers a wide range of 78,000 different colors.
- ChromaSteam3 is UL listed for safety.

## ChromaSteam3 Warranty

To view or download the **MrSteam® Accessory Warranty** and register your product, go to: [blog.mrsteam.com/wr](http://blog.mrsteam.com/wr)

## Operating ChromaSteam3

You can control the ChromaSteam3 LED module from within your steam room using the iSteam3/iSteamV control. Select from 78,000 different colors — and control the brightness of the light — all from a simple interface.

### To operate the ChromaSteam3 using iSteam3/iSteamV:

1. Turn on iSteam3/iSteamV and wait for the iSteam3/iSteamV home screen to appear.
2. Turn on the ChromaSteam fixture (**Figure 21**) by tapping the **LIGHT BULB** icon (**A**) and then tapping the **CHROMA** button (**B**).
3. Tap the **COLOR WHEEL** icon (**A** in **Figure 22**).
4. The color wheel and brightness control will appear (**Figure 23**). Tap anywhere in the color wheel (**A**) to choose the desired color. Slide the brightness control (**B**) left or right to choose the desired intensity of light.
5. Turn on preset colors by tapping the **LED LIGHTS** icon (**A** in **Figure 24**) and then scrolling through and tapping a color (**A** in **Figure 25**).
6. Turn off ChromaSteam3 by tapping the **POWER** icon (**A** in **Figure 26**) and then tapping the **CHROMA** button (**B** in **Figure 26**).

**CAUTION**

Note that ChromaSteam3 is for mood lighting only, and does not substitute for general shower illumination.

**NOTICE**

ChromaSteam3 only works with iSteam3/iSteamV.

**IMPORTANT NOTE:** For complete instructions on operating the iSteam3/iSteamV, refer to the iSteam technical manual (see [www.mrsteam.com](http://www.mrsteam.com)).

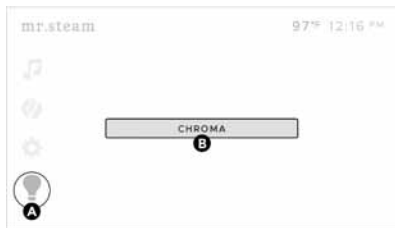


Figure 21



Figure 22

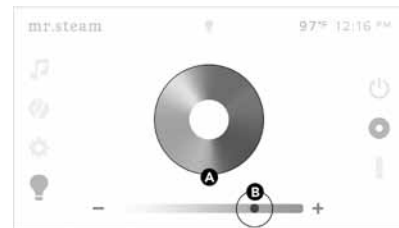


Figure 23



Figure 24



Figure 25

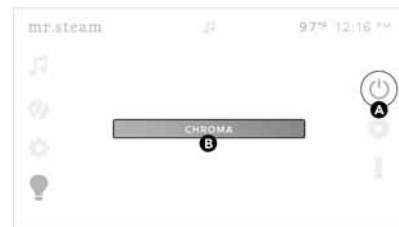


Figure 26

All drawings are for illustrative purposes only.

# mr.steam®

Feel Good Inc.®

FOR MORE INFORMATION PLEASE CALL

## Sales & Support

EAST COAST 1.800.76.STEAM

WEST COAST 1.800.72.STEAM

## www.mrsteam.com

**mr.steam®** www.mrsteam.com • hello@mrsteam.com

43-20 34th Street, Long Island City NY 11101

9410 S. La Cienega Blvd., Inglewood CA 90301

TEL: 1 800 76 STEAM FAX: 718 472 3256

TEL: 1 800 72 STEAM FAX: 310 216 2944

Products, information and specifications are subject to change without notice.

---

Copyright © 2019 MrSteam and des., A Lifetime of Pleasure, AirTempo, AromaFlo, AudioSteam, AudioWizard, AutoFlush, AutoSteam, Butler Package, ChromaSteam, Clean Steam...Every Time, Club Therapy, Digital 1, Express Steam, Feel Good Inc., From Bathroom to Spa, HomeWizard, iButler, iGenie, iSizing, iSteam, iTempo, iTempo/Plus, Making Wellness a Way of Life, MusicTherapy, SmartSizing, Spa Package, Steam Genie, Steam on Demand, Steam@Home, SteamStart, SteamStop, SteamTherapy, Tala, The Intelligent Steambath, Valet Package, Virtual Spa System, Voice Genie, and Voice Wizard are registered trademarks of MrSteam.

PUR 100515 REV 5.22