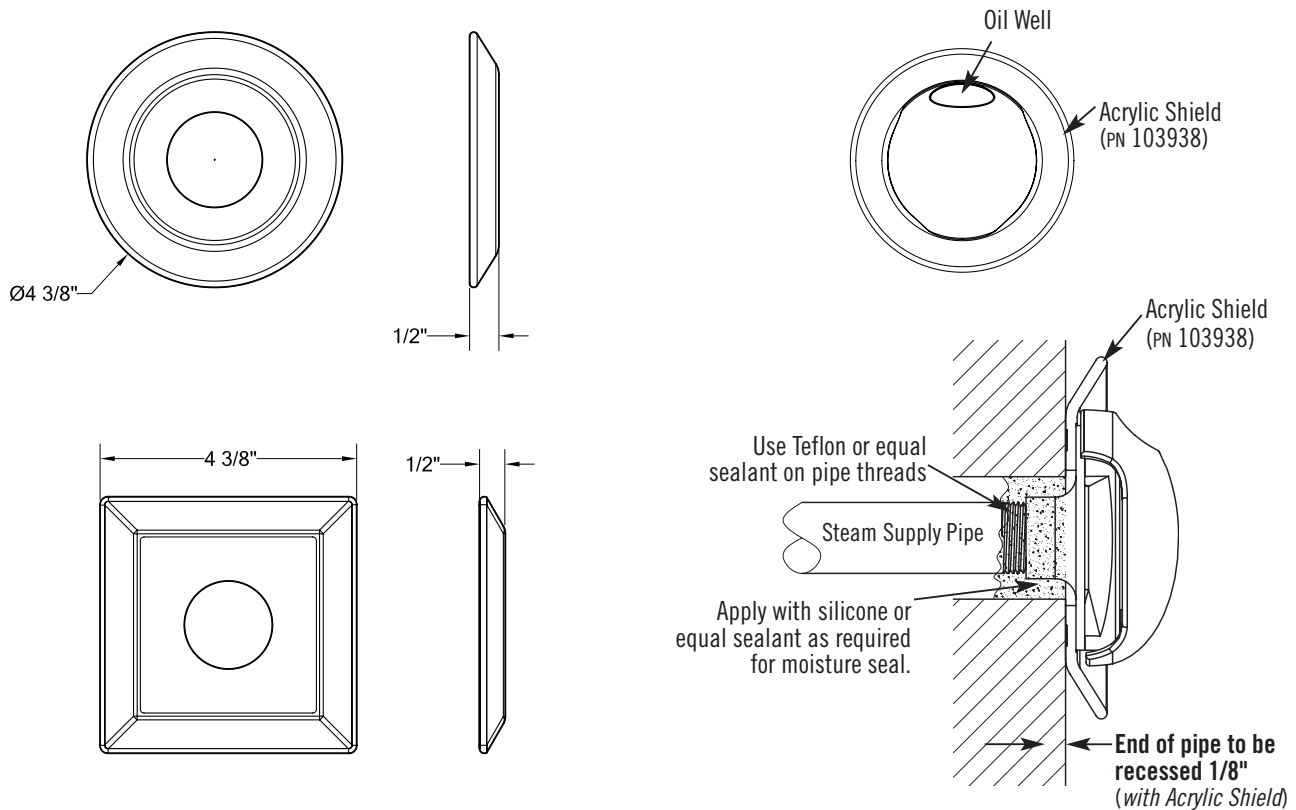


Steamhead with Acrylic Shield



The Acrylic Shield (PN 103938) is for use when acrylic or other non-heat resistant materials are used for the steamroom enclosure.

NOTE: FOR ILLUSTRATIVE PURPOSES ONLY.

IMPORTANT: See Mr.Steam® Installation, Operation and Maintenance Manual, PUR 101289, for details.

Click here to download this manual:

<http://mrsteam.com/products/technical-downloads.html>