



Installation, Operation & Maintenance Manual


AromaFlo

Fragrance Metering Pump System for
Commercial Steam Rooms

Part Number CU-AROMAFLOA

IMPORTANT: Leave this material with the operator.

mr.steam® | Feel Good Inc.®

 **WARNING** This installation, operation and maintenance manual is for general reference. The installation, operation and maintenance manual supplied with the product must be used for installation, operation and maintenance purposes. Failure to use the installation, operation and maintenance manual supplied may result in a property damage or personal injury.

INSTALLER SECTION

BEFORE INSTALLING

Carefully inspect the AromaFlo pump and packaging for shipping damage. In the event of shipping damage, please contact the carrier for claim information. Our customer service department can assist you with product replacement.

Read these instructions before installation or service. Although the AromaFlo pump has been fully qualified for shipment by MrSteam, the following must be reviewed for proper, safe and enjoyable steam bathing:

1. Verify that the model and accessories specifications are correct for the application.
2. The physical size of the unit, clearance for plumbing servicing, its distance from the steam room and fragrance location must all be considered before final installation.
3. Consider any controls and accessories before initiating installation. Read the Installation and Operation Manual of all controls and accessories available at www.mrsteam.com technical downloads.

IMPORTANT NOTES:

This document contains important safety, operation and maintenance information. After installation leave this document with the operator. Do not discard this document.

The following general information should be used in conjunction with consultations with an architect, designer and contractor in determining factors necessary in providing a suitable and safe steam room. MrSteam AromaFlo pumps are intended to be operated with MrSteam CU commercial steam bath generators and are to be installed strictly in accordance with the specific instructions contained in this manual and as supplied in the manuals provided with the controls or accessories.

TABLE OF CONTENTS

Installer's Section:

Box Contents.....	3
Important Safety Information	4
System Overview.....	5
General System Dimensions	6
General Installation	7-11
Operation	12
Troubleshooting.....	13
Replacement Parts	14
Installing the Caddy	15-16

Operator's Section

Fragrances	17
Important Safety Information	18
Locating the Caddy.....	19
Pump Operation.....	19-20
Warranty	20

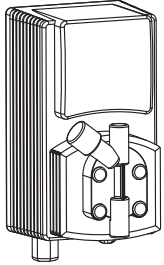


IMPORTANT NOTE:

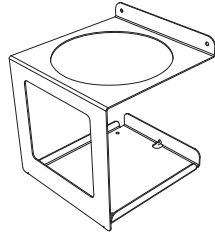
This "peel and stick" warning label shall be posted in a conspicuous location next to the steam room door.

INSTALLER SECTION

Box Contents



Pump



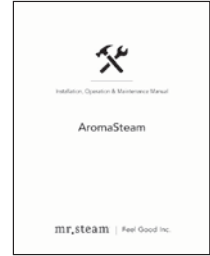
Caddy



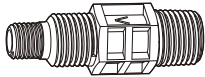
Pressure Tube Assembly



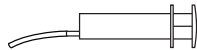
Suction Tube Assembly



Installation & Operation Manual



Check Valve



Injector with Injector Tubing

Additional Items included but not shown:

- 2x Mounting Screws and Anchors for Caddy and Pump
- Fuse



Warning Sign

(Includes mounting hardware)

All Drawings for Illustrative Purposes Only

IMPORTANT NOTE: As you follow these instructions, you will notice warning and caution symbols. This blocked information is important for the safe and efficient installation and use of the pump, fragrance and caddy. These are types of potential hazards that may occur during installation and operation:

! WARNING states a hazard may cause serious injury or death if precautions are not followed.

! CAUTION signals a situation where minor injury or product damage may occur if you do not follow instructions.

IMPORTANT NOTE: This highlights information that is especially relevant to a problem-free installation.

All information in these instructions is based on the latest product information available at the time of publication. MrSteam reserves the right to make changes at any time without notice.

INSTALLER SECTION

WARNING	
FLAMMABLE LIQUID AND VAPOR	
<ul style="list-style-type: none"> Keep away from heat, sparks, electrical outlets, open flames such as candles and hot surfaces. No smoking. Keep Out of the Reach of Children. Use only non-sparking tools. Take precautionary measures against static discharge. 	<ul style="list-style-type: none"> Contains denatured ethyl alcohol. In case of fire: Use CO2, dry chemical, alcohol foam, and water spray for extinction. Always store the MrSteam fragrances in a secure location. Keep container tightly closed and store in a cool, dry and well-ventilated place.

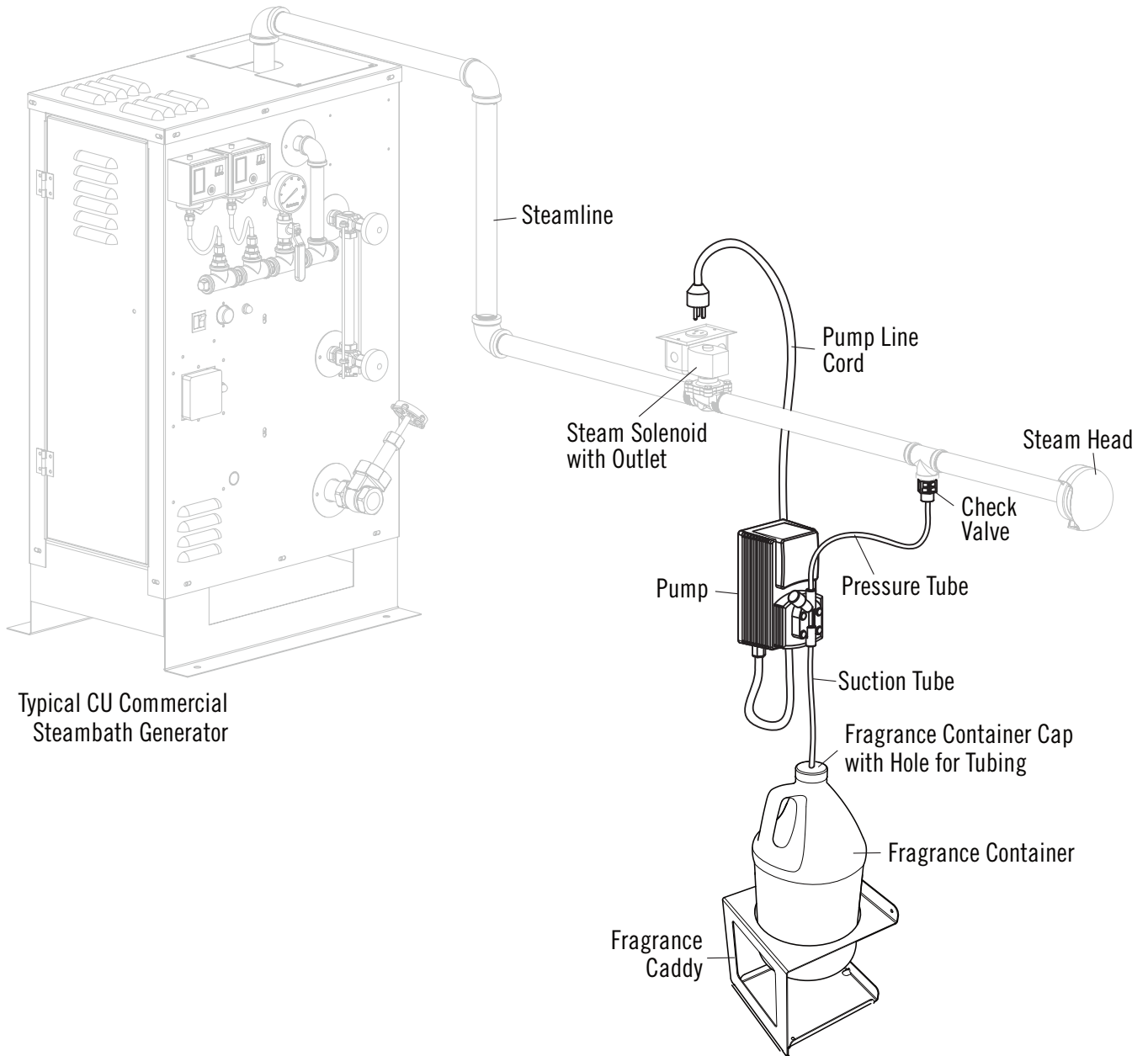
WARNING	
<ul style="list-style-type: none"> Avoid contact with eyes. May cause mild eye irritation. Ingestion may cause irritation, nausea, vomiting. Vapors may cause drowsiness, allergic reactions, difficulty breathing or skin irritation. If condition persists get medical attention. MrSteam fragrances (CU-EUCALYPTUS, CU-LAVENDER) are only for use with the MrSteam AromaFlo dispensing pump (part number CU-AROMAFLO). Never use MrSteam fragrances in any other pump, spray or dispensing device. The use of MrSteam fragrances in any other device may introduce excessive concentration of fragrances into the steam room and may cause personal injury. The use of any fragrances other than MrSteam fragrances with a MrSteam AromaFlo dispensing pump may introduce excessive concentration of fragrances into the steam room, resulting in personal injury. 	<ul style="list-style-type: none"> Keep out of reach of children. The AromaFlo system has been factory set to deliver a suitable amount of fragrance into a typical sized commercial steam room. Start with the AromaFlo dispensing pump volume at a very low setting. Gradually increase the volume setting until a comfortable fragrance level is reached. Do not exceed the "Recommended Setting" indicated on the pump volume. Never use an AromaFlo pump in a Residential or Day Spa installation. Doing so may result in excessive amounts of fragrance and personal injury. Do Not alter or modify any MrSteam product. Doing so may result in a personal injury. Never locate the caddy near or on the steam boiler. Doing so may result in fire, property damage or personal injury

FIRST AID	
<p>IN CASE OF EYE CONTACT: Rinse the eyes immediately with plenty of water, also under the eyelids, for at least 15 minutes. If eye irritation persists: Get medical attention.</p> <p>IN CASE OF SKIN CONTACT: Remove/Take off immediately all contaminated clothing.</p>	<p>Rinse skin with soap and water or shower. If skin irritation persists, get medical attention.</p> <p>IF SWALLOWED: Do not induce vomiting. Rinse mouth thoroughly with water. If conscious, give large amounts of water. If symptoms persist, call a physician.</p>

IMPORTANT NOTES:	
<ul style="list-style-type: none"> The Safety Data Sheet provides comprehensive information about MrSteam fragrances. Contact 1-800-767-8326 or go online at www.mrsteam.com for a copy of the Safety Data Sheet. Steam AromaFlo fragrances are only for use in commercial installations. Do Not use MrSteam fragrances in residential installations. 	<ul style="list-style-type: none"> Not for use in acrylic or fiberglass rooms. Check with the room manufacturer to determine compatibility of these fragrances with room construction materials. Do Not alter or modify any MrSteam product. Doing so will void the warranty. MrSteam AromaFlo fragrances must be disposed of as hazardous waste.

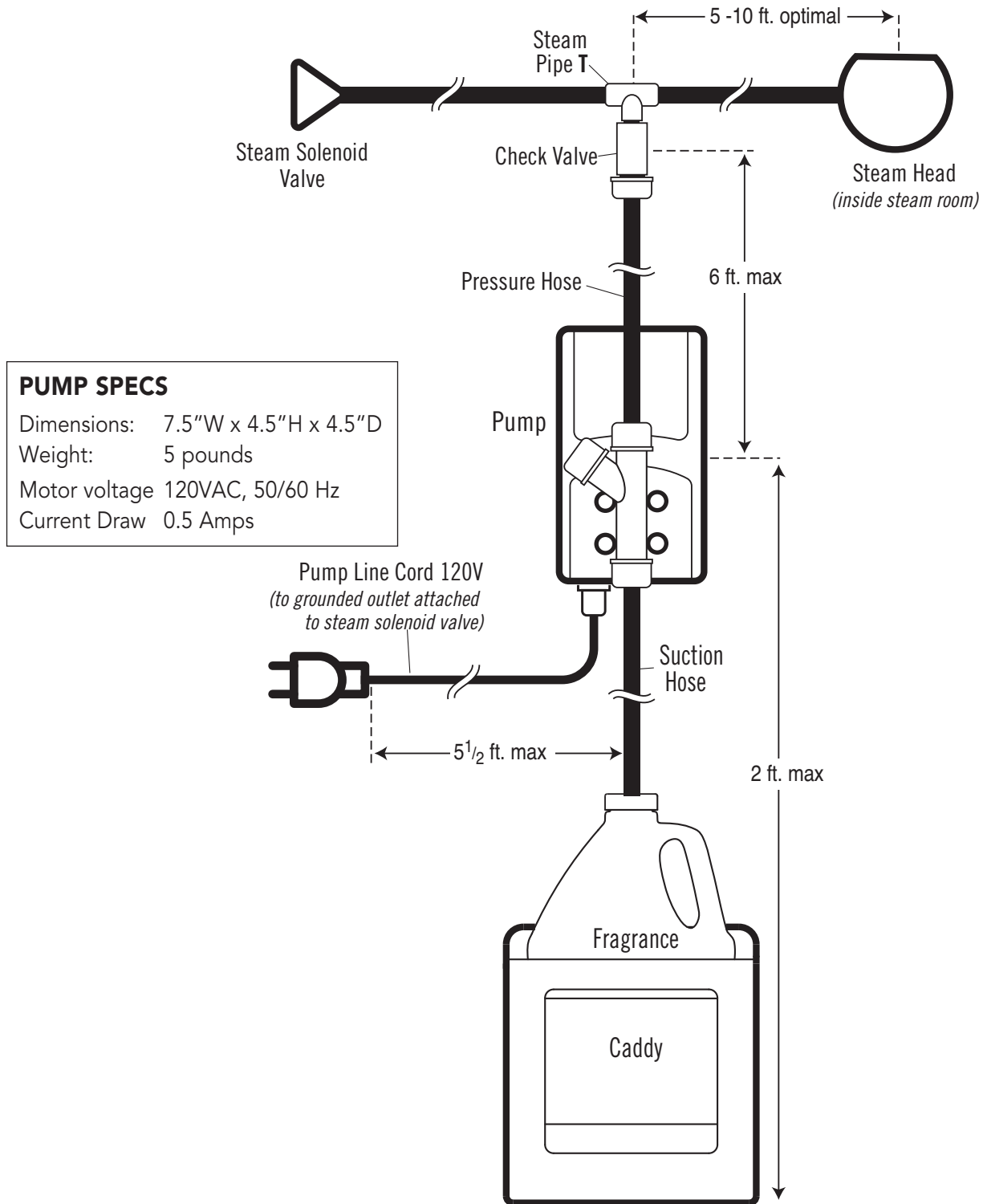
INSTALLER SECTION

AromaFlo System Overview



INSTALLER SECTION

General System Dimensions

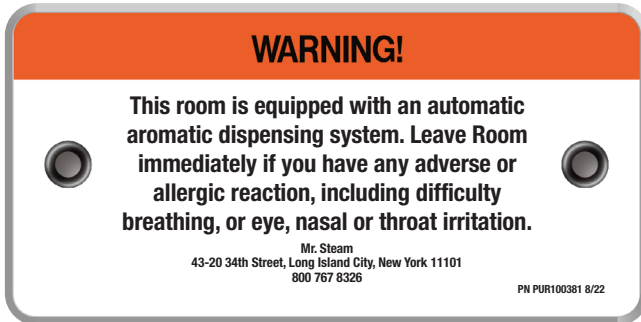


All Drawings for Illustrative Purposes Only

INSTALLER SECTION

WARNING SIGN

The warning sign shall be posted in a conspicuous location next to the steam room door.



PUMP LOCATION AND INSTALLATION

1. Keep the AromaFlo System away from heat, sparks, electrical outlets, open flames such as candles and hot surfaces.
2. Locate the Fragrance and Caddy to monitor the consumption of fragrance and for easy replacement.
3. The AromaFlo System should not be installed in areas accessible to children. A locked room is strongly recommended (i.e. utility room)
4. The AromaFlo System is designed and intended for indoor use only and is to be located indoors in a dry clean location and not subject to moisture, condensation or similar high humidity environments.
5. Do not install the AromaFlo System outdoors.
6. Do not install the AromaFlo System in a location where water could freeze.
7. Do not install the AromaFlo System near corrosive materials and chemicals. Installation in areas having high concentrations of chlorine (such as pool equipment room) should be avoided.
8. Attach the AromaFlo Pump onto a secure vertical surface.
9. Use only non-sparking tools. Take precautionary measures against static discharge.

INSTALLER SECTION

Installing the 90 degree T and Check Valve

1. For optimal results locate a brass 90 degree **T** (not provided) in the steam supply line within 5-10 feet of the steam head. If using copper tubing for steam lines, install a female 1/2 NPT or 1/4 NPT reducing Tee in the steam line facing downward.
2. **T** must face downward as shown.

IMPORTANT NOTE: Follow the installation instructions for the steam pipeline in the MrSteam CU Series Steam Bath Generators Installation and Operation Manual. Visit www.mrsteam.com to download this document.

3. Install Check Valve into 90° **T**/adaptor.

!WARNING The Check Valve prevents excessive amounts of fragrance from entering the steam line and steam room. Never install the AromaFlo System without the Check Valve. Failure to install the Check Valve may result in excessive fragrance delivery into the steam room and cause dizziness and/or personal injury.

PRESSURE TUBE ASSEMBLY

For your convenience the pressure tube assembly is provided pre-assembled. If additional tubing is needed please contact MrSteam Technical service at 1-800-767-8326 or 1-800-727-8326.

Installation of Pressure Tube to the Pump

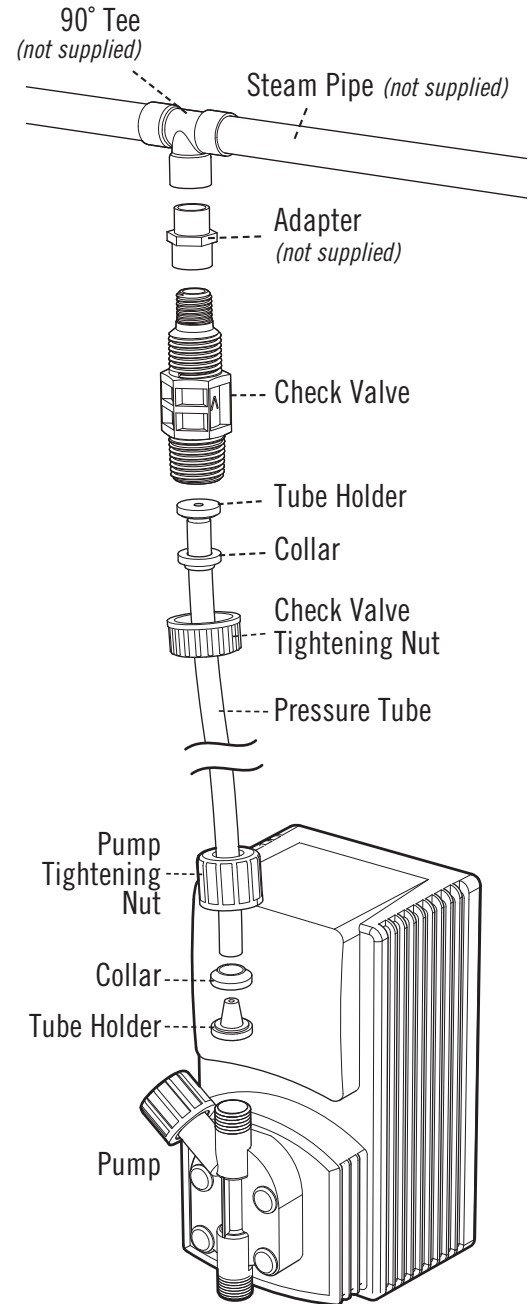
1. Insert the pressure tube through the hole of the pump tightening nut and collar and firmly push the tube onto the tube holder.
2. Screw the pump tightening nut onto the pump and tighten the nut by HAND only.

Installation of Pressure Tube to the 90° T

1. Insert the pressure tube through the Check Valve tightening nut and collar and firmly push the pressure tube onto the tube holder.
2. Screw the Check Valve tightening nut onto the Check Valve.

IMPORTANT NOTE: To prevent connection from leaking, insert tubing holder completely into tubing until it reaches the bottom. Lubricate the ID of the tubing as required with soap to facilitate insertion.

IMPORTANT NOTE: To prevent damage do not use tools to tighten the nut.



INSTALLER SECTION

SUCTION TUBE ASSEMBLY

For your convenience the suction tube assembly is provided preassembled. If additional tubing is needed please contact MrSteam Technical service at 1-800-767-8326 or 1-800-727-8326.

Installation of Suction Tube to the Pump

1. Insert the suction tube through the pump tightening nut and collar and firmly push the tube onto the tube holder.
2. Screw the suction tube tightening nut to the suction side of the pump.

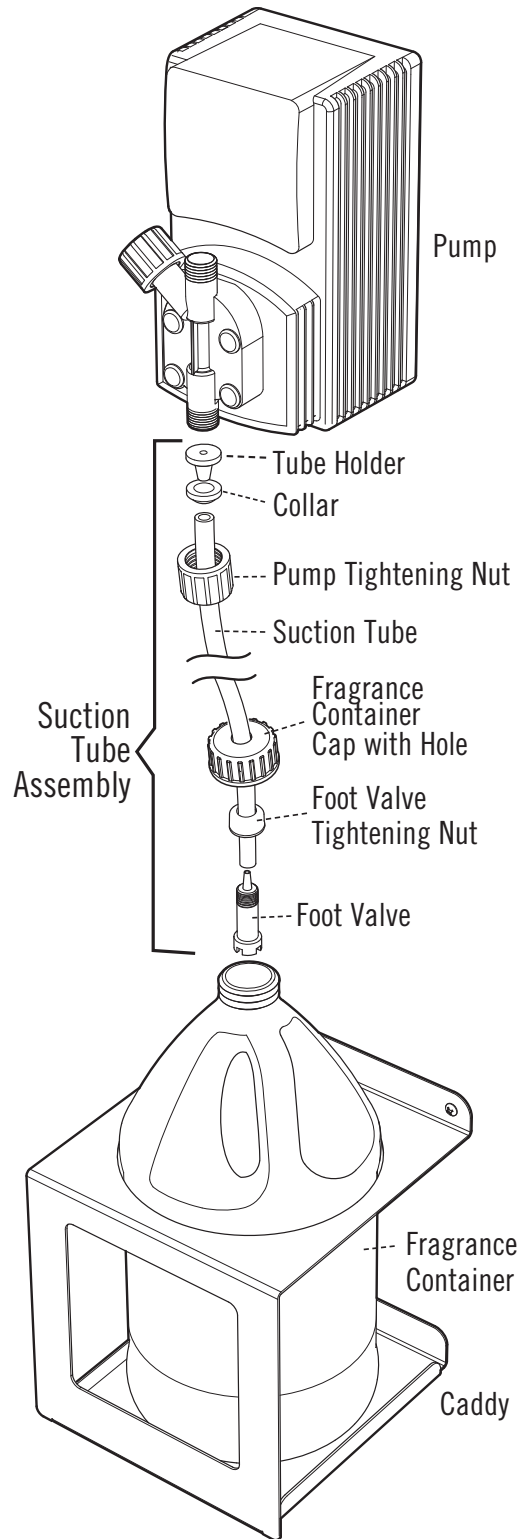
IMPORTANT NOTE: HAND-TIGHTEN ONLY.

Installation of Suction Tube into the Fragrance Container

1. Locate the "container cap" with the hole included with the bottle of fragrance.
2. Insert the suction tube through the hole in the container cap.
3. Remove the foot valve cap and insert the suction tube through the cap. Push the suction tube onto the foot valve. Tighten the cap onto the foot valve.
4. Unscrew the cap from the fragrance container and discard.
5. Screw the cap onto the fragrance container.
6. Make sure the Foot Valve rests on the bottom of the fragrance container.

IMPORTANT NOTE: To prevent connection from leaking, insert tubing holder completely into tubing until it reaches the bottom. Lubricate the ID of the tubing as required with soap to facilitate insertion.

IMPORTANT NOTE: To prevent damage do not use tools to tighten the nut.



INSTALLER SECTION

Priming the Pump

1. Insure MrSteam fragrance container is full.
2. Insert a short piece of soft injector tube onto the tip of the injector (see Fig. 1).
3. Insert the open end of the injector tube onto the pressure valve (see Fig. 1).
4. Open the priming valve by turning the knob counter clockwise one full revolution.
5. Draw liquid from the injector slowly and evenly. Continue until the injector is full of liquid.
6. If you have drawn up the injector completely and no liquid is in the injector, remove the injector tube from the pressure valve.
7. Drain injector. Repeat steps until the injector is filled.
8. Save the fragrance injector as it may be needed when new fragrances are used.
9. Close the priming valve completely by turning the knob clockwise.

CAUTION Failing to close the valve will result in fragrance leaking from the priming port.

IMPORTANT NOTE: If an extended pressure tube is special ordered then contact MrSteam Technical Service (see page 20) for instructions for filling the pressure tube with fragrance.

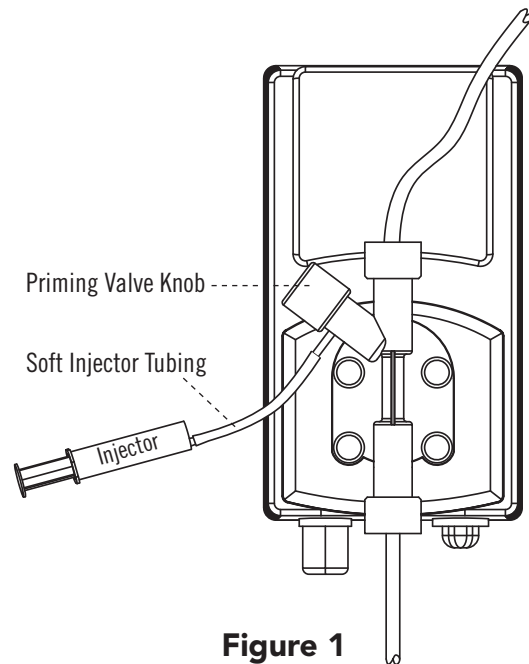
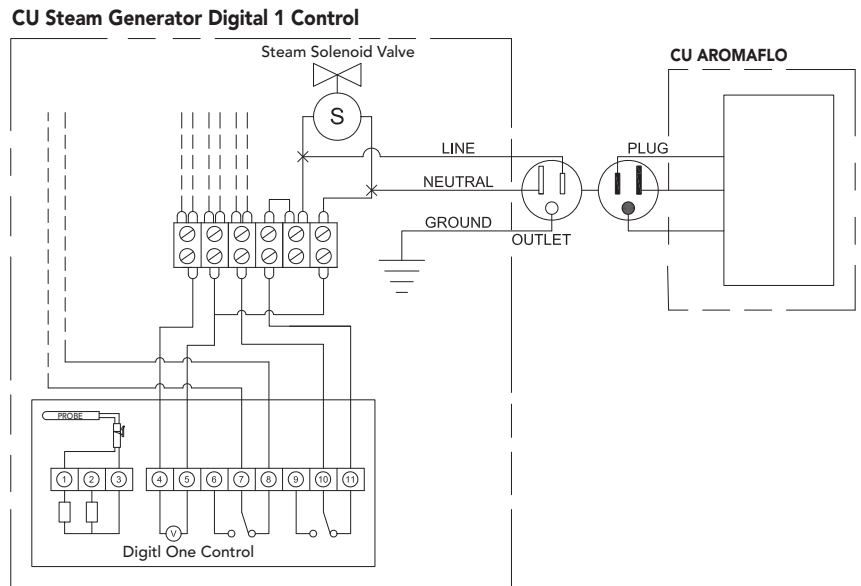


Figure 1

INSTALLER SECTION

Electrical Connection of Metering Pump

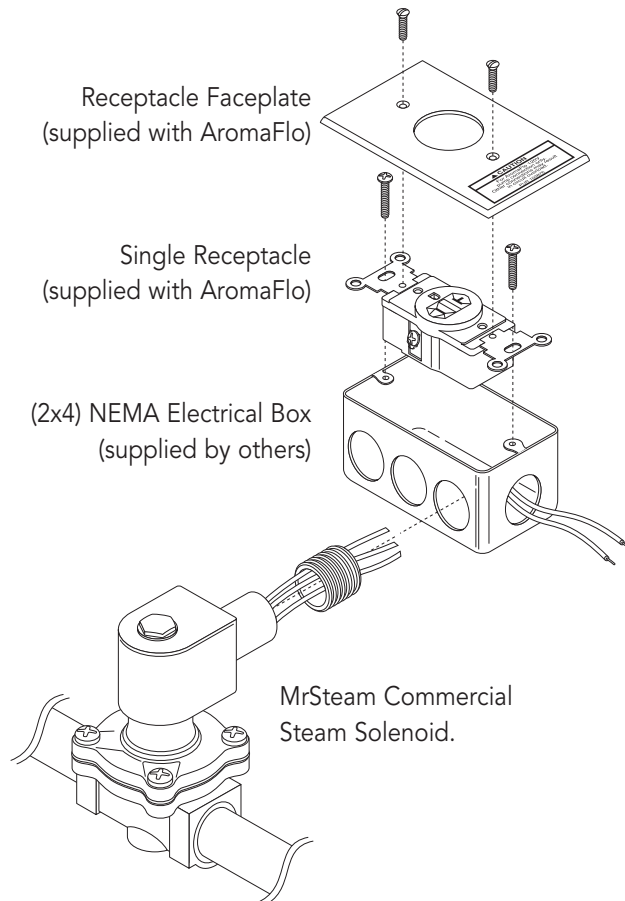
CAUTION This AromaFlo system is factory wired. If the power cord of the AromaFlo pump is damaged it must be replaced by the MrSteam service department or similarly qualified personnel in order to avoid an electric shock hazard. All electrical connections to be made by a licensed, qualified electrician. Disconnect all power to the steam generator before making power connections.



Electrical Box Assembly

CAUTION To avoid possible electric shock, the AromaFlo pump must be suitably grounded according to National Electric and local Codes. Disconnect all power supplies before proceeding. Such wiring should be done by a licensed electrician.

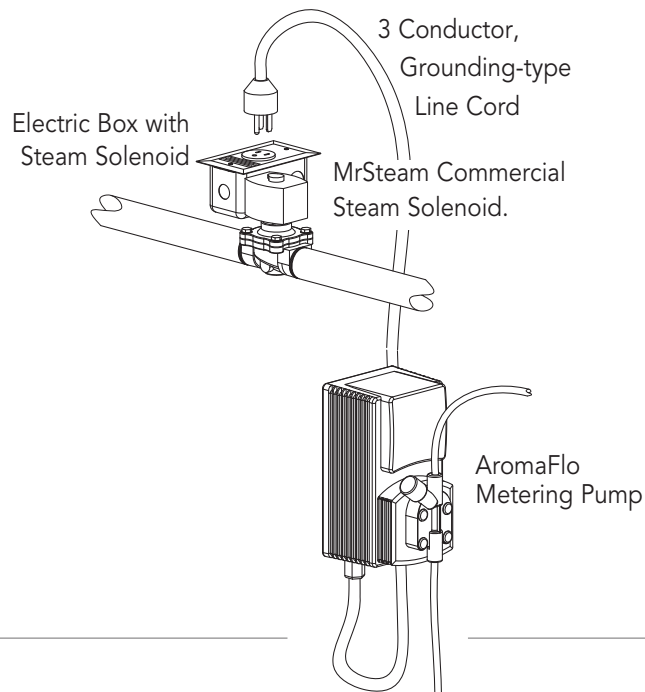
NOTE: Refer to the wiring diagram above for all wiring connections



INSTALLER SECTION

Fully Assembled

CAUTION The electrical outlet shown is for AromaFlo Pump connection only. Make no other connections to this outlet. Other connections may result in circuit overload

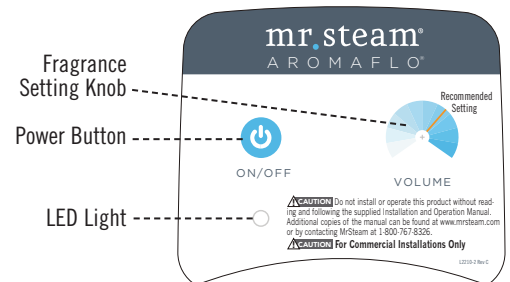


OPERATION

Powering Up the Pump

IMPORTANT NOTE: This step only needs to be performed during installation

1. The pump needs to be turned on before it can be used
2. Ensure power is being supplied to the pump.
3. Press and hold the power button for 3 seconds.
The LED will turn solid green.



PUMP LED LIGHT:	KEY:
Flashing Green LED	Pump is OFF. Press and hold the power button for 3 seconds to turn the pump on.
Solid Green LED	Pump is on and has been activated from the in-shower control. The LED will turn off each time the pump injects fragrance into the steam line.
No Light	Pump is OFF

The AromaFlo pump will inject a metered amount of fragrance into the steam line only when the steam solenoid valve is open.

Adjusting the Amount of Fragrance Delivery

The AromaFlo system has been factory set to deliver a suitable amount of aromatic fragrance into a typical sized steam room. Do not exceed the maximum setting. Please contact the MrSteam Technical Service Department before changing this setting.

Contact the MrSteam Technical Service Dept. at (800) 76-STEAM (East coast) or (800) 72-STEAM (West Coast) for assistance or additional information.

WARNING Increasing the settings may introduce excessive concentration of fragrance into the steam room, resulting in a health hazard.



INSTALLER SECTION

TROUBLESHOOTING

⚠️WARNING TO AVOID ELECTRIC SHOCK, DISCONNECT POWER TO PUMP BEFORE SERVICING

Pump does not prime

1. Check if voltage is available.
2. Check liquid level in fragrance container. Replenish liquid, if necessary.
3. Check for air bubbles in the suction tube or the pump head. To eliminate air bubbles see: Priming Pump.
4. Check valves for contamination. Clean valves if necessary.
5. Check foot valve in container for contamination. Rinse foot valve under clean water.

Pump does not inject fragrance into steam room

1. Check if voltage is available.
2. Check liquid level in fragrance container. Replenish fragrance if necessary.
3. Check for air bubbles in the suction tube or the pump head. To eliminate air bubbles see: Priming Pump.
4. Check valves for contamination. Clean valves if necessary.
5. Check foot valve in container for contamination. Rinse foot valve under clean water.
6. Check the pressure tube for kinking or jamming. Straighten or replace.
7. Check if fragrance is freely flowing through the Check Valve when the metering pump is energized. Apply compressed air through the Check Valve. Attach the compressed air at the point of connection of the pressure tube.
8. Ensure the pump has been powered up. See page 12.

Pump fragrance delivery too much or too little

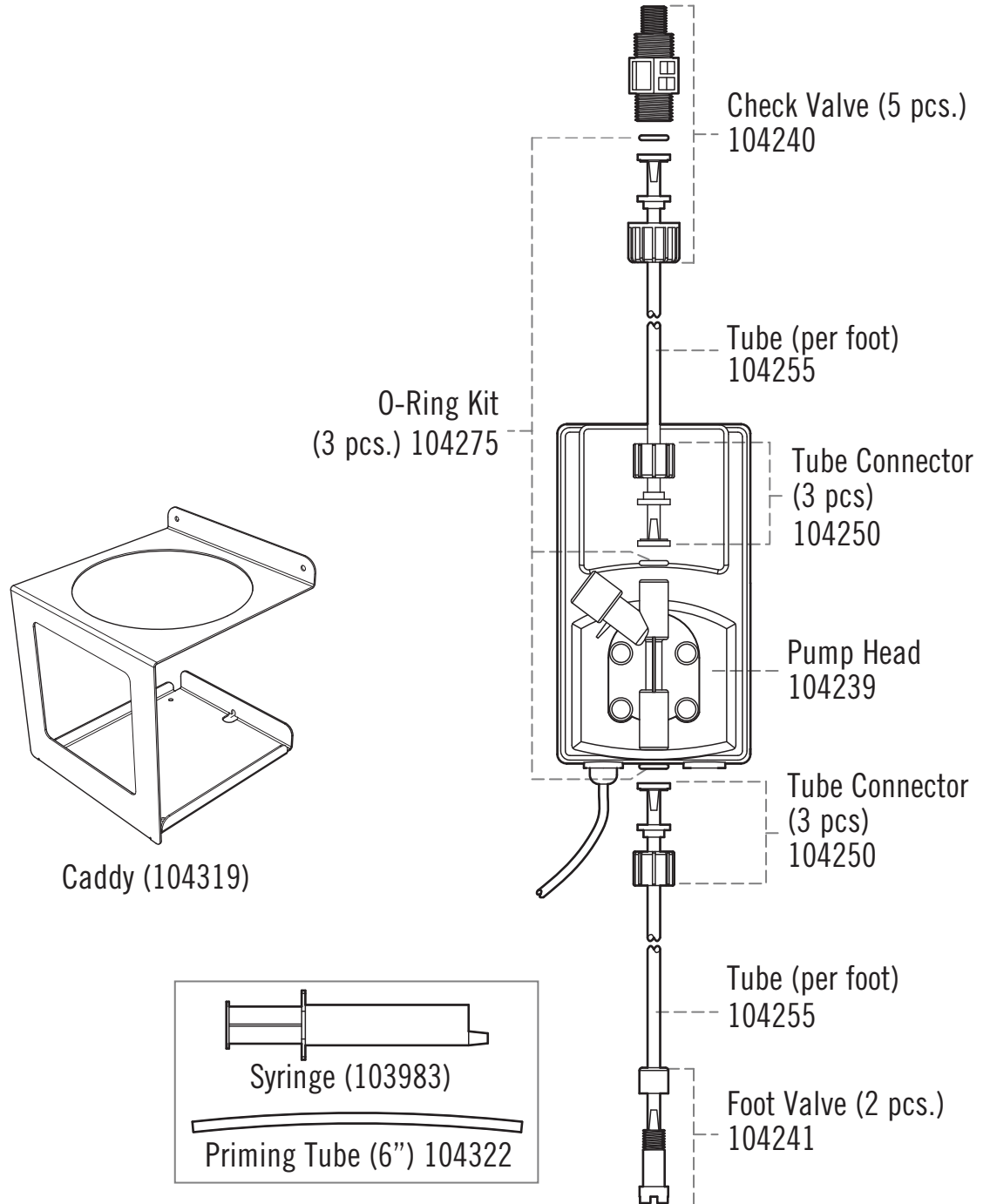
⚠️WARNING The AromaFlo system has been factory set to deliver a suitable amount of aromatic fragrance into a typical sized steam room. Please contact the MrSteam Technical Service Department before changing this setting. See page 12 for instructions on adjusting the amount of fragrance delivery.

Contact the MrSteam Technical Service Dept. at (800) 76-STEAM (East coast) or (800) 72-STEAM (West Coast) for assistance or additional information.

⚠️WARNING ELECTRICAL SHOCK HAZARD. MrSteam AromaFlo pumps are connected to 120V line voltage and contain live electrical components. All installation and service to be performed by qualified and licensed electricians and plumbers only. Installation or service by unqualified persons or failure to use MrSteam parts may result in property damage or in a hazardous condition.

INSTALLER SECTION

REPLACEMENT PARTS



INSTALLER SECTION

Installing the Caddy:

Box Contents:

- Stainless steel caddy
- Mounting screws (2)
- Instructions

Tools required:

- Cordless drill with a Phillips bit
- Level
- * Use only non-sparking tools. Take precautionary measures against static discharge

Locating the Caddy:

1. Place in a location that allows visual monitoring of the fragrances level.
2. Place in a location that allows for easy replacement of the fragrance container.
3. The caddy should not be installed in areas accessible to children. A locked room is strongly recommended (ie: utility room).
4. The maximum distance from the pump to the bottom of the caddy is 6 feet (Diagram 1).
5. The caddy is designed and intended for indoor use only. Do not install outdoors.
6. Do not install in an unheated location where water could freeze.
7. Locate in an area where the ambient temperature does not exceed 88° F.
8. Never locate the caddy near or on the steam boiler. Doing so may result in fire, property damage or personal injury

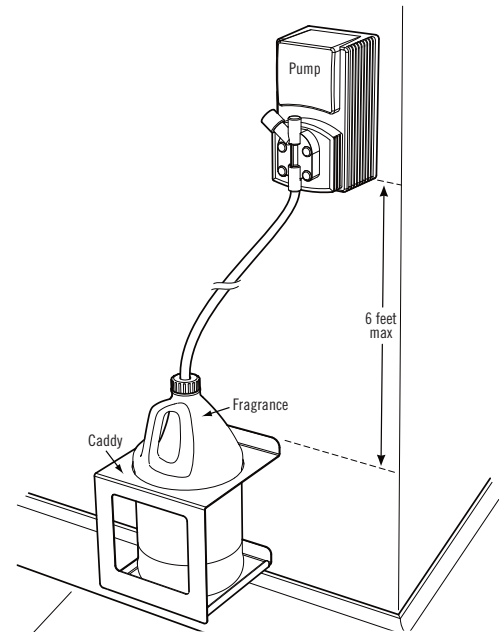


Diagram 1

Drawing details removed for clarity

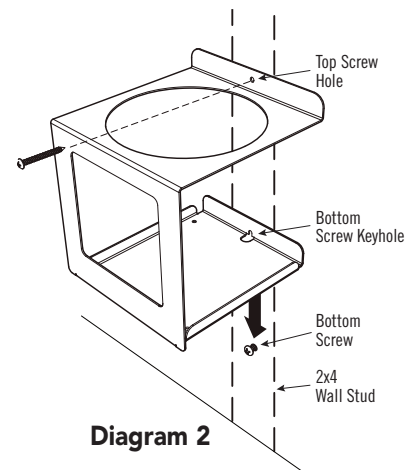


Diagram 2

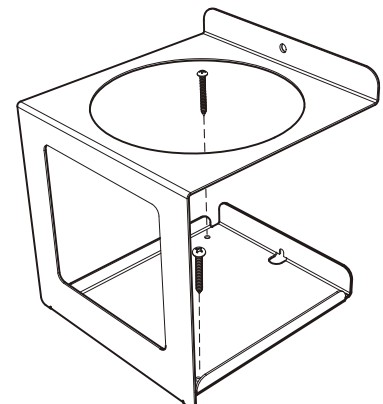


Diagram 3

! WARNING

Using a fragrance container that is not secured in the caddy, or using a caddy that is not mounted may result in spillage, excessively strong vapors or a fire hazard.

INSTALLER SECTION

Mounting the Caddy on a Wall:

1. Use a level to make sure the caddy is level.
2. Use the two mounting screws provided to secure the caddy to a wall stud (Diagram 2).
3. The fragrance and caddy are heavy. Failure to mount the caddy to a wall stud in a secure manner may result in spillage, excessively strong vapors or a fire hazard.
4. Install the lower screw first into a wall stud. Leave about 1/8" of the screw sticking out above the surface. Lower the caddy onto the screw so the caddy bottom keyhole rests securely on the screw.
5. Mounting screws have been provided. However, as construction materials may vary, use other hardware (screws, anchors, etc.) as required for secure mounting. Test the caddy for secure mounting.
6. Insert the fragrance container with the label facing outward so it is visible through the caddy window (Diagram 4). The label contains important information.
7. Connect the fragrance container to the pump according to instructions on page 9 (Diagram 5).
8. Always keep the container in the caddy while it is connected to the dispensing pump.

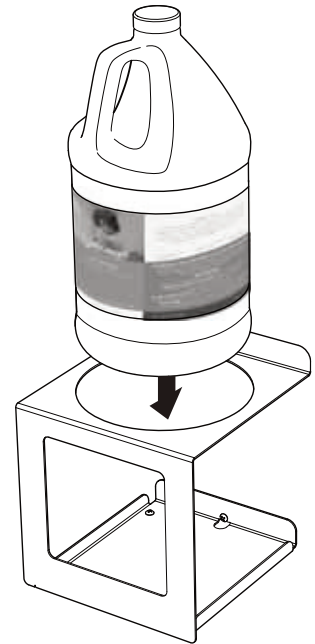


Diagram 4

Mounting the Caddy on a Floor:

1. Use the two mounting screws provided to secure the caddy using the two holes at the bottom of the caddy (Diagram 3).
2. Mounting screws have been provided. However, as construction materials may vary, use other hardware (screws, anchors, etc.) as required for secure mounting. Test the caddy for secure mounting.
3. Insert the fragrance container with the label facing outward in a manner it is visible through the caddy window (Diagram 4). The label contains important information.
4. Connect the fragrance container according to instructions on page 9 (Diagram 5).
5. Always keep the container in the caddy while it is connected to the dispensing pump.

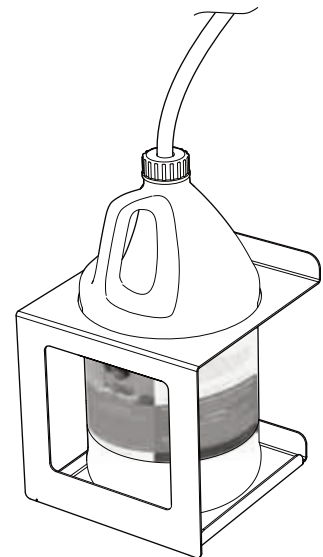


Diagram 5

! WARNING

Using a fragrance container that is not secured in the caddy, or using a caddy that is not mounted may result in spillage, excessively strong vapors or a fire hazard.

OPERATOR SECTION



MrSteam AromaFlo Fragrances

THE AROMAFLO SYSTEM FRAGRANCE DISPENSING PUMP

The AromaFlo’s state-of-the-art pump introduces fragrance into the steam pipe and into a commercial steam room.

MrSteam Fragrance is Available in Two Fragrances:

FRAGRANCE	PART NO.	CONTAINER VOL.
Eucalyptus A deeply refreshing aroma with cleansing effects, eucalyptus may help open air passageways.	CU-EUCALYPTUS	1 Gallon
Lavender A sweet, lightly floral scent, lavender may help soothe anxiety with its calming and restorative properties.	CU-LAVENDER	1 Gallon

The Safety Data Sheet provides comprehensive information about MrSteam AromaFlo fragrances. Contact 1-800-767-8326 or go online at www.mrsteam.com for a copy of the Safety Data Sheet.


IMPORTANT NOTE: As you follow these instructions, you will notice warning and caution symbols. This blocked information is important for the safe and efficient installation and use of the fragrance and caddy. These are types of potential hazards that may occur during installation and operation:


! WARNING states a hazard may cause serious injury or death if precautions are not followed.

! CAUTION signals a situation where minor injury or product damage may occur if you do not follow instructions.

IMPORTANT NOTE: This highlights information that is especially relevant to a problem-free installation.

OPERATOR SECTION

 WARNING	
FLAMMABLE LIQUID AND VAPOR	
<ul style="list-style-type: none"> • Keep away from heat, sparks, electrical outlets, open flames such as candles and hot surfaces. • No smoking. • Keep Out of the Reach of Children. • Use only non-sparking tools. Take precautionary measures against static discharge. 	<ul style="list-style-type: none"> • Contains denatured ethyl alcohol. • In case of fire: Use CO2, dry chemical, alcohol foam, and water spray for extinction. • Always store the MrSteam fragrances in a secure location. Keep container tightly closed and store in a cool, dry and well-ventilated place.

 WARNING	
<ul style="list-style-type: none"> • Avoid contact with eyes. May cause mild eye irritation. Ingestion may cause irritation, nausea, vomiting. • Vapors may cause drowsiness, allergic reactions, difficulty breathing or skin irritation. If condition persists get medical attention. • MrSteam fragrances (CU-EUCALYPTUS, CU-LAVENDER) are only for use with the MrSteam AromaFlo dispensing pump (part number CU-AROMAFLO). Never use MrSteam fragrances in any other pump, spray or dispensing device. The use of MrSteam fragrances in any other device may introduce excessive concentration of fragrances into the steam room and may cause personal injury. • The use of any fragrances other than MrSteam fragrances with a MrSteam AromaFlo dispensing pump may introduce excessive concentration of fragrances into the steam room, resulting in personal injury. 	<ul style="list-style-type: none"> • Keep out of reach of children. • The AromaFlo system has been factory set to deliver a suitable amount of fragrance into a typical sized commercial steam room. Start with the AromaFlo dispensing pump volume at a very low setting. Gradually increase the volume setting until a comfortable fragrance level is reached. Do not exceed the "Recommended Setting" indicated on the pump volume. • Never use an AromaFlo pump in a Residential or Day Spa installation. Doing so may result in excessive amounts of fragrance and personal injury. • Do Not alter or modify any MrSteam product. Doing so may result in a personal injury. • Never locate the caddy near or on the steam boiler. Doing so may result in fire, property damage or personal injury

FIRST AID	
<p>IN CASE OF EYE CONTACT: Rinse the eyes immediately with plenty of water, also under the eyelids, for at least 15 minutes. If eye irritation persists: Get medical attention.</p> <p>IN CASE OF SKIN CONTACT: Remove/Take off immediately all contaminated clothing.</p>	<p>Rinse skin with soap and water or shower. If skin irritation persists, get medical attention.</p> <p>IF SWALLOWED: Do not induce vomiting. Rinse mouth thoroughly with water. If conscious, give large amounts of water. If symptoms persist, call a physician.</p>

IMPORTANT NOTES:	
<ul style="list-style-type: none"> • The Safety Data Sheet provides comprehensive information about MrSteam fragrances. Contact 1-800-767-8326 or go online at www.mrsteam.com for a copy of the Safety Data Sheet. • Steam AromaFlo fragrances are only for use in commercial installations. Do Not use MrSteam fragrances in residential installations. 	<ul style="list-style-type: none"> • Not for use in acrylic or fiberglass rooms. Check with the room manufacturer to determine compatibility of these fragrances with room construction materials. • Do Not alter or modify any MrSteam product. Doing so will void the warranty. • MrSteam AromaFlo fragrances must be disposed of as hazardous waste.

OPERATOR SECTION

Locating the Caddy/Fragrance:

1. Place in a location that allows visual monitoring of the fragrances level.
2. Place in a location that allows for easy replacement of the fragrance container.
3. The caddy should not be installed in areas accessible to children. A locked room is strongly recommended (ie: utility room).
4. The maximum distance from the pump to the bottom of the caddy is 6 feet (Diagram 1).
5. The caddy is designed and intended for indoor use only. Do not install outdoors.
6. Do not install in an unheated location where water could freeze.
7. Locate in an area where the ambient temperature does not exceed 88° F.
8. Never locate the caddy near or on the steam boiler. Doing so may result in fire, property damage or personal injury

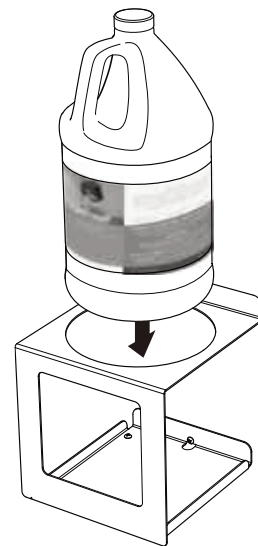


Diagram 1

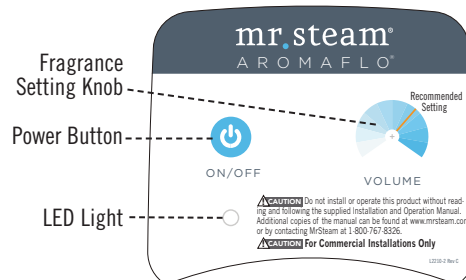
! WARNING
Using a fragrance container that is not secured in the caddy, or using a caddy that is not mounted may result in spillage, excessively strong vapors or a fire hazard.

OPERATION

Powering Up the Pump

IMPORTANT NOTE: This step only needs to be performed during installation.

1. The pump needs to be turned on before it can be used
2. Ensure power is being supplied to the pump.
3. Press and hold the power button for 3 seconds. The LED will turn solid green.



PUMP LED LIGHT:	KEY:
Flashing Green LED	Pump is OFF. Press and hold the power button for 3 seconds to turn the pump on.
Solid Green LED	Pump is on and has been activated from the in-shower control. The LED will turn off each time the pump injects fragrance into the steam line.
No Light	Pump is OFF

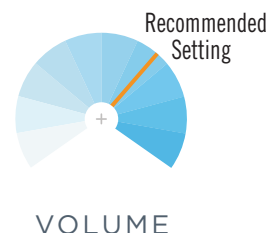
The AromaFlo pump will inject a metered amount of fragrance into the steam line only when the steam solenoid valve is open.

Adjusting the Amount of Fragrance Delivery

The AromaFlo system has been factory set to deliver a suitable amount of aromatic fragrance into a typical sized steam room. Do not exceed the maximum setting. Please contact the MrSteam Technical Service Department before changing this setting.

Contact the MrSteam Technical Service Dept. at (800) 76-STEAM (East coast) or (800) 72-STEAM (West Coast) for assistance or additional information.

!WARNING Increasing the settings may introduce excessive concentration of fragrance into the steam room, resulting in a health hazard.



mr.steam®

Feel Good Inc.®

www.mrsteam.com

Products, information and specifications are subject to change without notice.

Please call Technical Support at 1.800.76.STEAM (East Coast) or 1.800.72.STEAM (West Coast) for more information.

NOTICE

The model and serial number is printed on the data plate on the front of the steam bath generator.
Have this information available when contacting Technical Service.

mr.steam® hello@mrsteam.com | www.mrsteam.com

43-20 34th Street, Long Island City, NY 11101 TEL: 1 800 76 STEAM | 9410 S. La Cienega Blvd. Inglewood CA 90301 TEL: 1 800 72 STEAM

2020 © MrSteam and des., A Lifetime of Pleasure, AirTempo, AromaFlo, AudioWizard, AutoFlush, AutoSteam, Butler Package, ChromaSteam, Clean Steam...Every Time, Club Therapy, CT Day Spa, Digital 1, Express Steam, Feel Good Inc., From Bathroom to Spa, HomeWizard, iButler, iGenie, iSpa Package, iSteam, iTempo, iTempo/Plus, Linear Steamhead, Making Wellness a Way of Life, Music Therapy, My Steam, SmartSizing, Spa Package, Steam Genie, Steam on Demand, Steam in a Box, Steam@Home, SteamStart, SteamTherapy, Tala, Tala Bath & Body, Tempo, The Intelligent Steambath, Valet Package, and Virtual Spa System are registered trademarks of MrSteam.

PUR100193 Rev 5.22