

## Optional Accessories

Part # 104485

### Escutcheon

**! CAUTION INSTALLER:**

Refer to Installation, Operation, and Maintenance Manual for Linear Steam Head Residential Model 104480, PUR103936" for installation of Linear Steam Head, 104480, prior installation of any optional accessories.

Because the steam head, Escutcheon and direct steam emission are very hot, locate the steam head and Escutcheon where incidental contact by bather with the steam head, Faceplate or direct steam emission cannot occur.

**Escutcheon** is a decorative faceplate and comes in 8 beautiful finishes, it blends seamlessly with any bathroom décor, it's larger than Linear Steam Head's standard Faceplate and it's manufacturer in solid brass.

#### Installation Instruction

- Apply silicone to the front surface of Linear Steam Head. (see Fig. 11)
- Securely press Escutcheon into the opening of Linear Steam Head. (see Fig. 11)
- Fill any gaps between tiles and Escutcheon with silicone. (see Fig. 12)

**! CAUTION** Failure to properly install Escutcheon may result in a leak within the wall cavity and cause problems associated with leaks, moisture and property damage from leaks.

#### Finish

- |   |  |
|---|--|
| <input type="checkbox"/> Brush Bronze   | <input type="checkbox"/> Polish Brass  |
| <input type="checkbox"/> Brush Nickel   | <input type="checkbox"/> Polish Chrome |
| <input type="checkbox"/> Matte Black    | <input type="checkbox"/> Polish Nickel |
| <input type="checkbox"/> Oil Rub Bronze | <input type="checkbox"/> Satin Brass   |

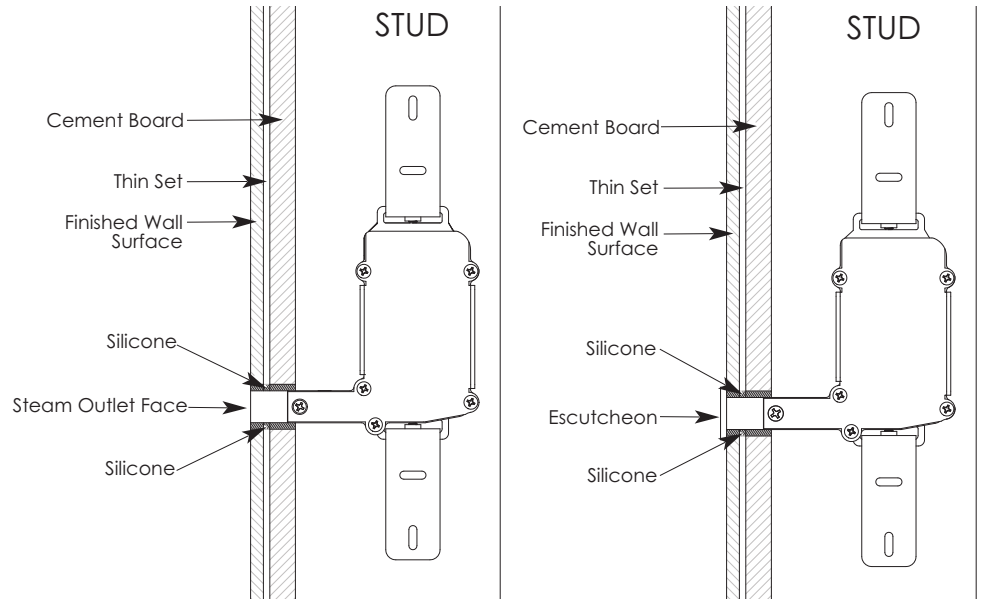


Figure 1

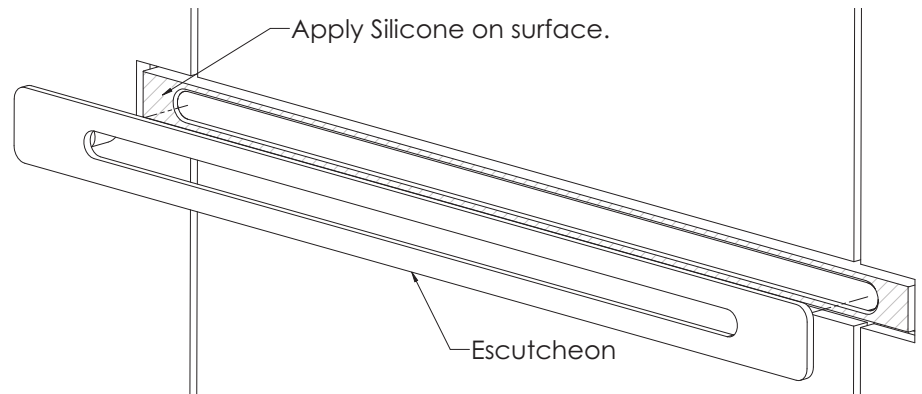


Figure 2

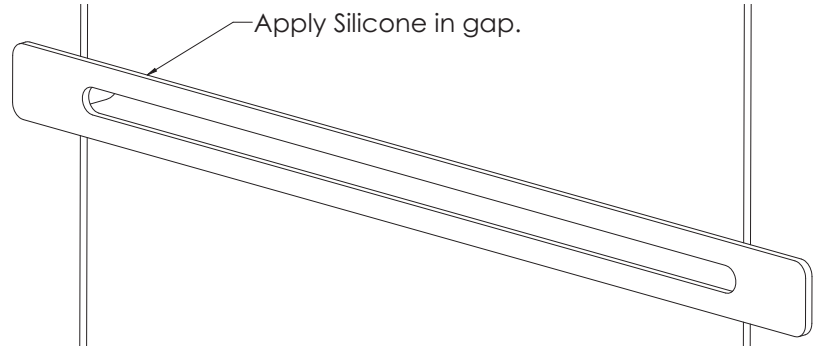


Figure 3

**NOTE: Drawings are for illustrative purposes only.** Consult with qualified designer, architect or contractor for steam room construction.

mr.steam® hello@mrsteam.com • www.mrsteam.com

PUR 103937 Rev 5.22

43-20 34th Street, Long Island City, NY 11101 tel: 1 800 76 STEAM

9410 S. La Cienega Blvd. Inglewood CA 90301 tel: 1 800 72 STEAM

(continue on next page)

## Optional Accessories

Part # 104486

### Finished Diverter

**CAUTION** Because direct steam emission is very hot, Finished Diverter will become hot during steam session, and will remain hot for a period of time after steam session.

**Finished Diverter** is an optional addition to the subtle and elegant Linear Steam Head, where steam emission zone is an issue. Finished Diverter effortlessly direct steam up the finished wall, greatly reduce the size of steam emission zone. It comes in 8 beautiful finishes to blend seamlessly with any bathroom décor and it's manufactured in solid brass.

### Installation Instruction

- Insert Finished Diverter into steam outlet of Linear Steam Head. (see Fig. 13)

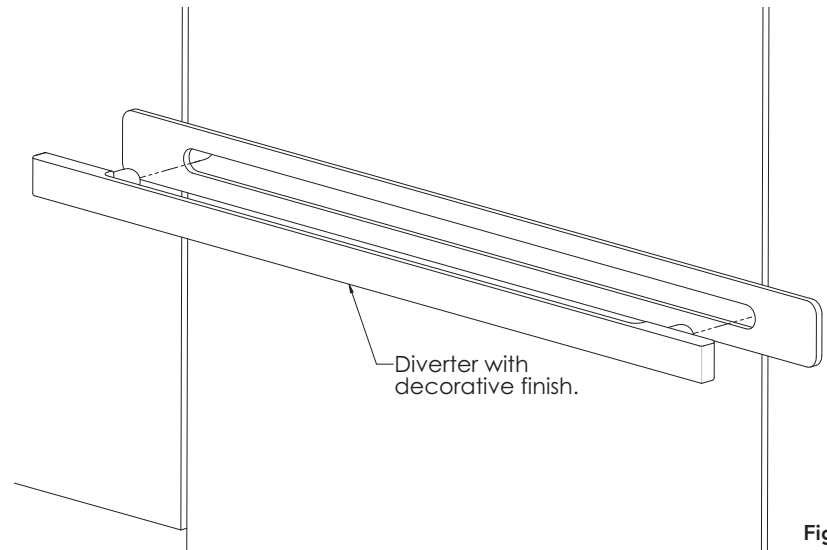
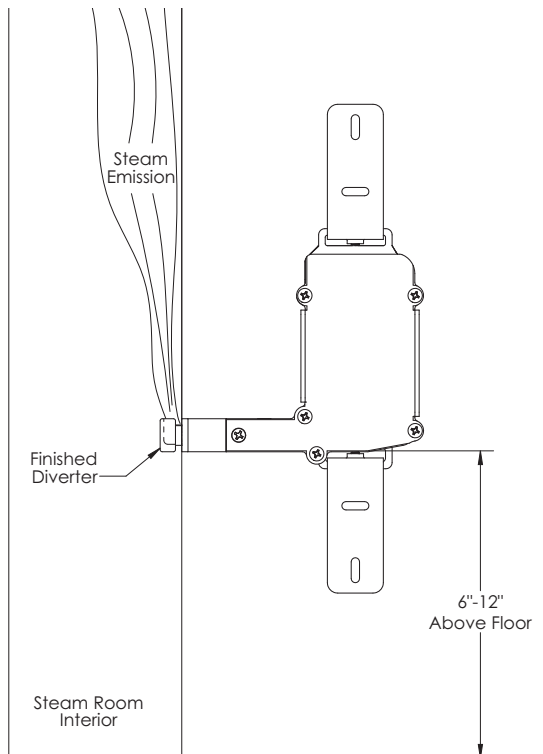
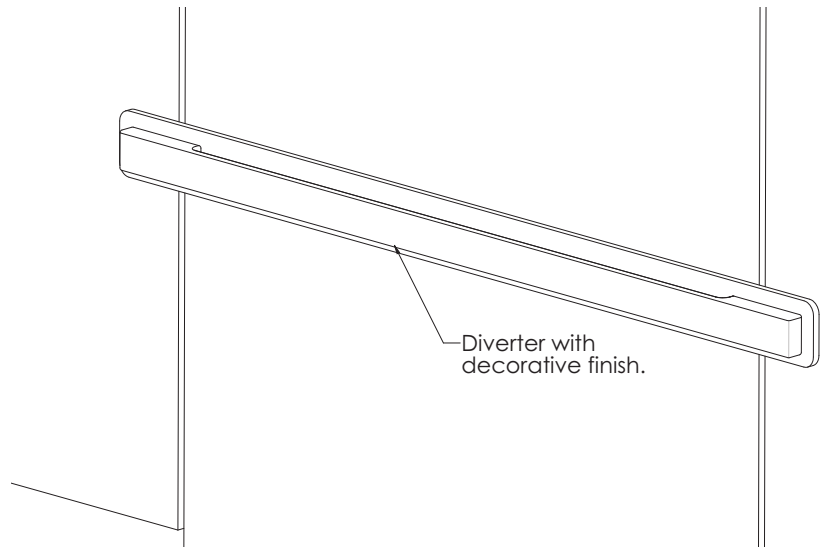


Figure 4



### Finish

- |   |  |
|---|--|
| <input type="checkbox"/> Brush Bronze   | <input type="checkbox"/> Polish Brass  |
| <input type="checkbox"/> Brush Nickel   | <input type="checkbox"/> Polish Chrome |
| <input type="checkbox"/> Matte Black    | <input type="checkbox"/> Polish Nickel |
| <input type="checkbox"/> Oil Rub Bronze | <input type="checkbox"/> Satin Brass   |

**NOTE: Drawings are for illustrative purposes only.** Consult with qualified designer, architect or contractor for steam room construction.

For Installation assistance please call Customer or Technical support:

East Coast 1-800-767-8326 West Coast 1-800-727-8326

To view an installation video please go to: [www.mrsteam.com](http://www.mrsteam.com). This video is for added visual assistance only.

Do not install the Linear Steam Head using the video. Use only these installation instructions for a safe and problem free installation.