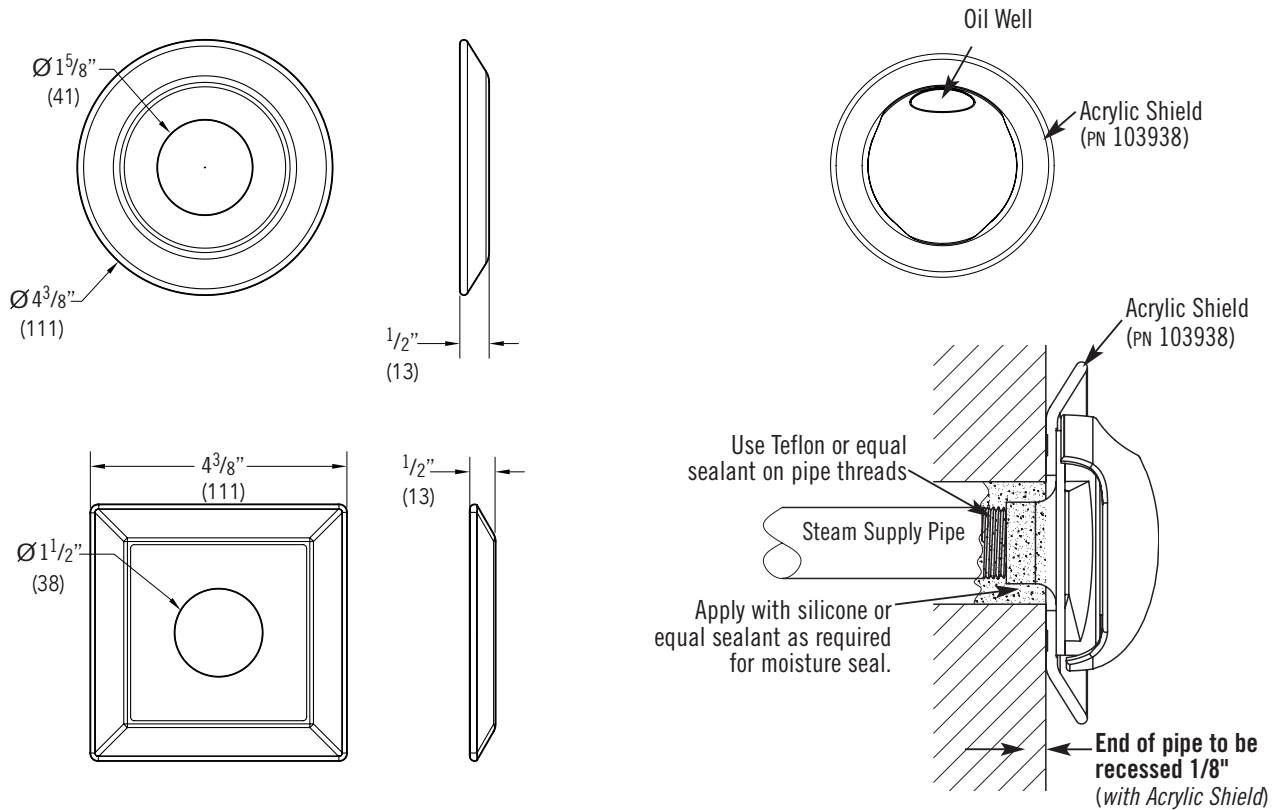


### Acrylic Shield



The Acrylic Shield (PN 103938) is for use when acrylic or other non-heat resistant materials are used for the steamroom enclosure.

**FOR ILLUSTRATIVE PURPOSES ONLY**

**IMPORTANT NOTE: FOR SAFE AND TROUBLE FREE INSTALLATION** visit [mrsteam.com](http://mrsteam.com) or refer to the manual provided with the unit.

MODEL	PROJECT INFORMATION	
<input type="checkbox"/> 103938 (Round, for use with 103937 steamhead)	Location:	Contractor:
<input type="checkbox"/> 103938SQ (Square, for use with 104040 steamhead)	Architect:	Submitted By:
	Engineer:	Date:
Notes:		