



---

Installation, Operation and Maintenance Manual

# 104531MS AirTempo Rough-in Package

103867 Condensation Pan  
MS81500E AutoFlush

n/a  
PUR100200E

11-21  
06-21

**mr.steam**<sup>®</sup> | Feel Good Inc.<sup>®</sup>

2021-11-17

## OPTIONAL CONDENSATION PAN

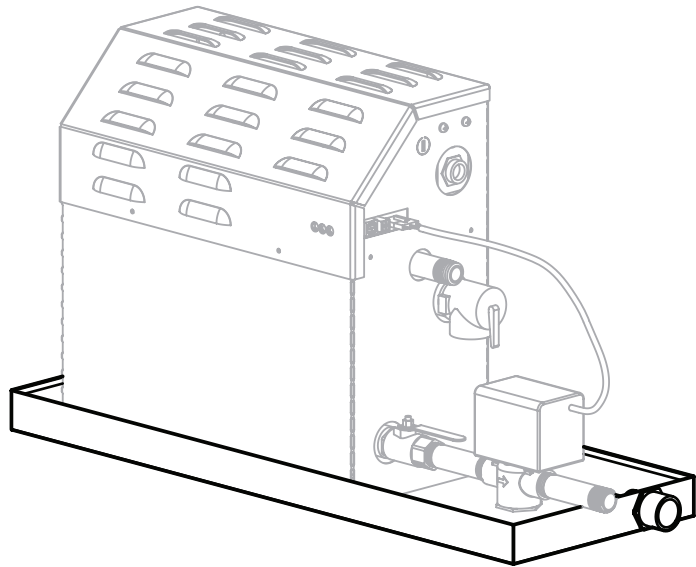
MrSteam strongly recommends the use of a condensation pan in the unlikely event of a plumbing leak.

Locate the condensation pan on a solid level surface and place the steam generator inside the condensation pan. Insure the steam generator is level (see page 5 for locating the steam generator).

All plumbing shall be performed by a qualified licensed plumber and in accordance with applicable national and local codes. Check local plumbing code for receptor, trap and vent requirements. Condensation pans drain by gravity.

The condensation pan is equipped with an integral female  $\frac{3}{4}$ " NPT fitting.

**NOTICE** Do not plumb the generator drain and condensation pan drain together in such a way that will cause drain water to back into condensation pan.

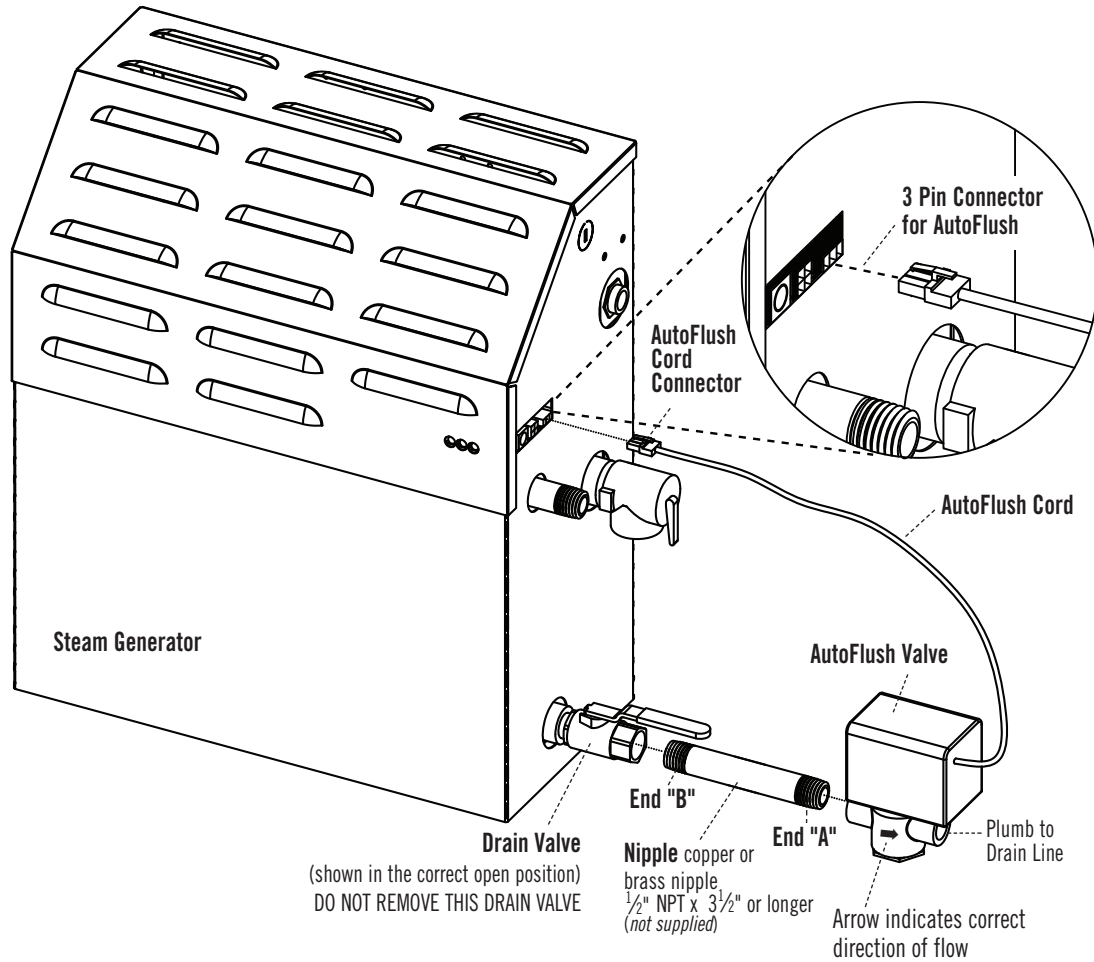


### INSTALLATION INSTRUCTIONS

#### BOX CONTENTS:

- AutoFlush System Valve with Cord
- Installation Instructions.

#### ASSEMBLY OF OPTIONAL AUTOFLUSH® SYSTEM



#### OPERATION

The optional AutoFlush System feature automatically drains the MrSteam system following each use. A time delay allows the water to cool down (about two hours) before it drains resulting in a safe and gentle operation.

## INSTALLATION INSTRUCTIONS

1. Plumbing to be performed by a qualified plumber and shall be in accordance with applicable National and Local codes. Unit drains by gravity. A drain line that is lower than the AutoFlush assembly must be available. The AutoFlush System valve outlet is threaded 1/2" NPT. Check plumbing code for receptor, trap and vent requirements.
2. Use copper or brass nipple 1/2" NPT x 3 1/2" (90mm) or longer (*not supplied*) to connect AutoFlush valve (end "B") to the Drain Valve (valve end "A" and "B" are indicated on bottom of AutoFlush Valve)

### **CAUTION** DO NOT REMOVE THE DRAIN VALVE

Removal may cause equipment and property damage. If there is not enough room for the valve, an elbow and a short nipple (*not provided*) can be added.

3. Open Drain Valve (handle must be aligned with brass nipple).
4. Connect the AutoFlush System cord connector to the three pin connector as shown.

**WARNING** Do not drain into a steam enclosure or any location where accidental contact with drain water may occur. In the event of a power failure the AutoFlush System valve will open and may discharge boiling water.

## SWEAT FITTINGS

When using sweat fittings use only tin base solder with a melting point below 600 degrees F. Do not overheat. Ends of water supply tubing must be thoroughly clean for a minimum distance of 1" from ends. Do not remove valve cover.

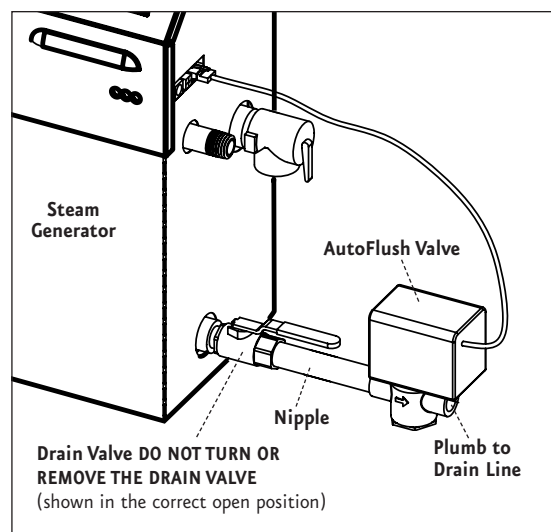
## TO CHECK OPERATION

1. Turn on MrSteam with the control and allow tank to fill with water. (see MrSteam Instruction Manual)
2. Turn off MrSteam with the control. Water should stay in tank.
3. Turn off power at the panel box. Water should discharge from tank.
4. Turn on power at panel box.
5. Repeat

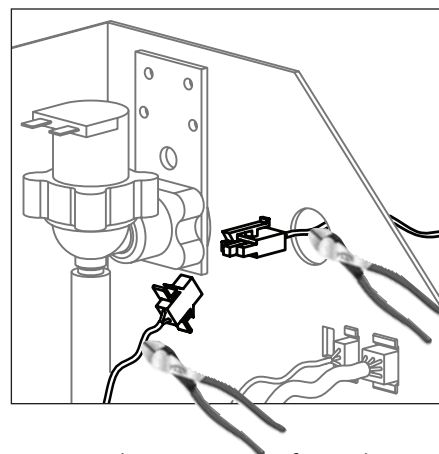
**CAUTION** PROVIDE DRAIN PLUMBING ACCORDING TO LOCAL CODES. PLUMB AS REQUIRED FOR AUTOFLUSH SYSTEM.

**IMPORTANT NOTE:** Contact the MrSteam Technical Service Dept. for installation of any equipment not shown in these instructions. East Coast: 800-767-8326; West Coast: 800-727-8326

## AutoFlush® Shown Fully Assembled



## Installing AutoFlush on Older Model Generators SN:899,999 and below



1. Remove the connector from the "C" location in the jacket. Cut off the connector where shown and strip back the wires approx 0.375"
2. Cut the connector off the AutoFlush cable where shown and strip back the wires approx 0.375"
3. Remove the knockout in the side of the generator and install a bushing to prevent chafing.
4. Route the wires from the AutoFlush through the knockouts and connect the white wire from the AutoFlush to the white wire from the circuit board using a wire nut. Repeat for the black wire.

**WARRANTY:** To view or download the MrSteam Controls & Accessories Warranty and register your product go to: [blog.mrsteam.com/wr](http://blog.mrsteam.com/wr)