



Installation, Operation and Maintenance Manual

Fifth Avenue Collection Electric & Hydronic Towel Warmers

Models: W500, W542, H542, W634

mr.steam®

Feel Good Inc.

Model

Serial No.

Models W500, W542 H542, W634

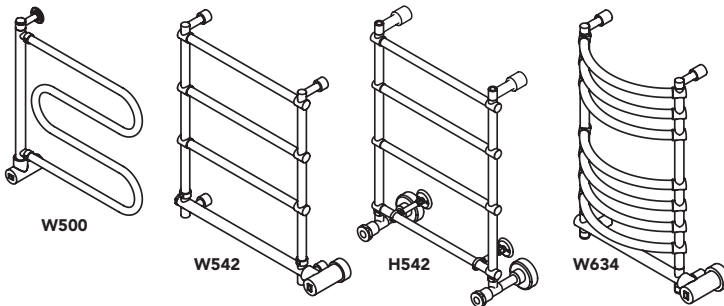


Table of Contents

Electric Models

| | |
|--|-----|
| General Information & Specifications ... | 2 |
| Wall Preparation..... | 3 |
| Mounting..... | 4 |
| Installation | |
| Models 542, 634..... | 5 |
| Model 500 | 6 |
| Electrical Connections..... | 7-8 |
| Digital Programmable Timer..... | 8 |

Hydronic Model

| | |
|------------------------------------|-------|
| General Information | 9 |
| Pre-Installation & Wall Prep | 10 |
| Plumbing Preparation..... | 11 |
| Hook-up and Installation..... | 11-12 |
| Operation & Maintenance..... | 12 |

IMPORTANT NOTE: As you follow these instructions, you will notice warning and caution symbols. This blocked information is important for the safe and efficient installation and operation of this Towel Warmer. These are types of potential hazards that may occur during this installation and operation:

PUR 103852 REV 1.15

! WARNING states a hazard may cause serious injury or death if precautions are not followed.

! CAUTION signals a situation where minor injury or product damage may occur if you do not follow instructions.

IMPORTANT NOTE: This highlights information that is especially relevant to a problem-free installation.



HOMEOWNER:

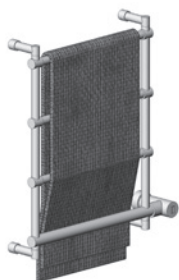
THANK YOU for selecting Mr.Steam Towel Warmer, the perfect addition to bathrooms, family spas, and exercise rooms within your home. Our products have long been a standard for quality and comfort, and we are sure that you will experience continued enjoyment from the Towel Warmer you have purchased by following these simple instructions.

! WARNING TOWEL WARMERS ARE HOT! The Towel Warmer is an electrical heating appliance, intended only for indoor residential applications and, as such, should be installed and used with certain precautions for your safety.

1. INSTALLATION PROCEDURES FOR PERMANENTLY WIRED WALL-MOUNTED UNITS MUST BE ACCOMPLISHED BY QUALIFIED PERSONNEL IN STRICT ACCORD WITH APPLICABLE NATIONAL AND LOCAL BUILDING AND ELECTRICAL CODES.
2. DO NOT place TOWEL WARMER units inside a shower, sauna or steam room enclosure or any other wet location or with elevated temperatures.
3. CAUTION is advised when Towel Warmer is accessible to children.
4. For the ultimate ease in use, a dedicated wall switch or timer can be used to control the TOWEL WARMER unit. Contact Mr.Steam for an in-wall 24-hour-7 day timer (PN W-103588) NOTE: All switches and control devices must be installed on the load (black) side of the Towel Warmer circuit in compliance with the National Electric Code and Local Codes. (see page 8 for installation instructions)

IMPORTANT: The finish of your Towel Warmer can be protected and maintained by an occasional wiping with a soft, non-abrasive, damp cloth and lightly polished, thereafter, with a soft dry cloth when the Towel Warmer is cold. Under no circumstances should abrasive cleaning powders, metal polish or chlorine-based cleaners be used on any part of this product.

IMPORTANT: This appliance is intended for towels washed in water. Fabrics that contain soap or detergent residue may show what appears to be scorch marks. However this is simply the discoloration of the residue. The Towel Warmer unit does not reach sufficient temperature to scorch fabric. We are not responsible for discoloring or damage of any fabrics.



This picture shows the recommended method of draping a towel on a towel warmer. Ensure that as much as possible of the towel's surface is touching the towel warmer to ensure fast even warming of the towel

INSTALLER:

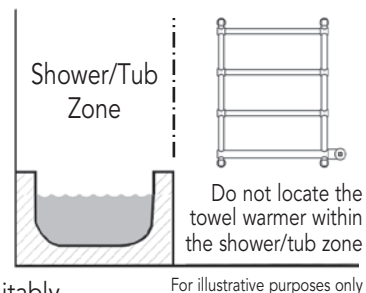
READ THIS ENTIRE INSTRUCTION MANUAL THOROUGHLY BEFORE BEGINNING INSTALLATION. LEAVE THESE INSTRUCTIONS WITH HOMEOWNER.

! WARNING BE CERTAIN ELECTRICITY IS SHUT OFF AT MAIN PANEL BEFORE WIRING OR SERVICING YOUR TOWEL WARMER. Follow instructions to make certain your Towel Warmer is properly attached to the wall. FAILURE TO FOLLOW THESE STEPS COULD RESULT IN HAZARDOUS CONDITIONS.

! WARNING To avoid possible fire hazard, the Towel Warmer must remain in its intended position. MOUNT THIS UNIT ONLY AS SHOWN IN THESE INSTRUCTIONS. DO NOT alter or modify any Mr. Steam products. Doing so may result in an inoperable or hazardous installation and will void the warranty.

! CAUTION

1. Install in accordance with National and local codes.
2. Do not locate in shower stall or near shower spray.
3. Do not locate within the shower or tub zone.
4. All models are to be protected by dedicated and suitably rated GFCI circuit breaker or equal.



TO ENSURE CORRECT OPERATION OF YOUR TOWEL WARMER, PLEASE FOLLOW ALL THE INSTRUCTIONS CAREFULLY, OBSERVING THE "CAUTION" NOTATIONS FOR EACH STEP.

Inspect Towel Warmer

Unpack the Towel Warmer carefully to avoid any damage or loss of any part. When opening the box be sure that the parts are not accidentally discarded. Towel Warmers are shipped in specially designed shipping cartons. The entire surface of the Towel Warmer is hand-wrapped to protect the finish. It is your responsibility to immediately inspect for any damage.

TOWEL WARMER SPECIFICATIONS

| Model No. | Dimensions (inches) | | | Volts/Phase | Weight (lbs.) |
|-----------|---------------------|------|------|-------------|---------------|
| | W | H | D | | |
| W500 | 22.5 | 25 | 5 | 120/1 | 20 |
| W542 | 23.75 | 26 | 5.25 | 120/1 | 25 |
| W634 | 19.5 | 27.5 | 7.25 | 120/1 | 25 |

WALL PREPARATION

CAUTION

- DO NOT mount the Towel Warmer without providing structurally secure headers as shown.
- DO NOT mount the Towel Warmer directly to sheet rock or any other non-structural surface.
- Use longer fasteners as required if the finished wall surface prevents adequate mounting with the screws provided.
- Provide a clearance hole in the lower header as required to route field wiring to the Towel Warmer wiring box.

WARNING

If a single gang electric box has been roughed-in, install cover plate PN103877. See part numbers below for decorative finish information. DO NOT install the Towel Warmer without these instructions.

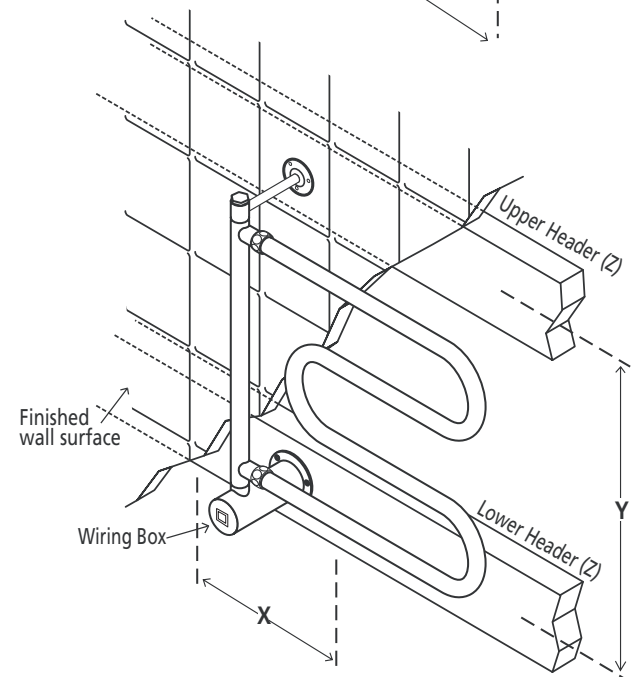
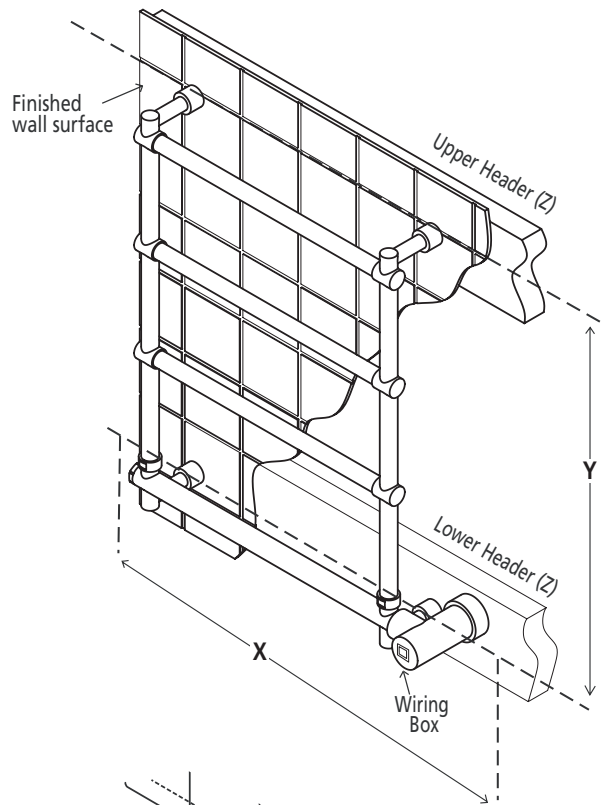
Cover Plate Part Numbers & Decorative Finishes:

- Polished Chrome 103877PC
- Polished Brass 103877PB
- Polished Nickel 103877PN
- Pewter 103877P
- Satin Nickel 103877SN
- Polished Gold 103877PG
- Satin Gold 103877SG
- Antique Brass 103877AB
- Oil Rubbed Bronze 103877ORB

| MOUNTING DIMENSIONS (inches) | | | |
|------------------------------|--|--------------------------------|---------------------------|
| MODEL | X (min) HEADER HORIZONTAL LENGTH | Y HEADER VERTICAL LENGTH | Z (min) HEADER SIZE |
| W 500 | 5 | 22 5/8 | 2 x 6 |
| W 542 | 23 1/4 | 24 3/4 | 2 x 6 |
| W 634 | 19 | 27 1/8 | 2 x 6 |

IMPORTANT NOTE: Towel Warmers may have small dimensional variations and must be measured prior to installation.

For Technical Service Assistance:
 East Coast Tel: 1-800-767-8326
 West Coast Tel: 1-800-727-8326



For illustrative purposes only

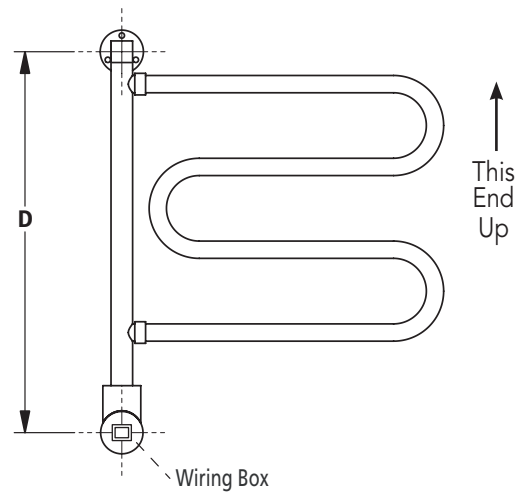
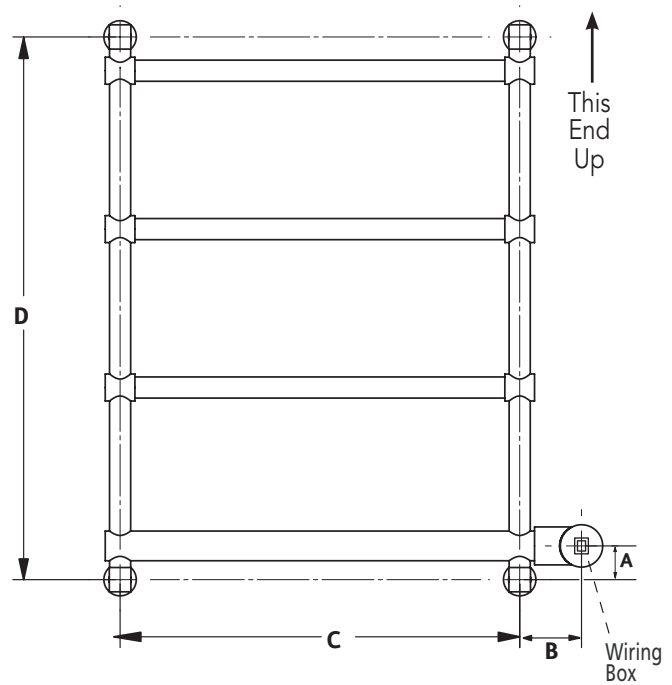
MOUNTING

| MOUNTING DIMENSIONS (inches) | | | | |
|------------------------------|-------|-------|---------|----------|
| MODEL | A | B | C | D |
| W 500 | ~ | ~ | ~ | 22 5/8 |
| W 542 | 1 1/8 | 2 3/4 | 18 1/2 | 24 3/4 |
| W 634 | 1 1/8 | 2 3/4 | 14 3/16 | 26 11/16 |

! WARNING

Install Towel Warmers in upright position only. Locate with indicator light on bottom as shown. Failure to install properly may result in overheating and a hazardous condition.

IMPORTANT NOTE: Towel Warmers may have small dimensional variations and must be measured prior to installation.



MODELS W542 & W634

Box Contents

- Towel Warmer
- (4) Bracket Escutcheons
- (4) Large Screw
- (1) Wiring Box Set Screw
- (1) Wire Box Flange
- Warranty
- (3) Small Screws
- (1) Wire Box Escutcheon
- (4) Bracket Set Screws
- (4) Brass Inserts
- (1) Allen Key
- Instruction & Operation Manual

1. Remove Towel Warmer and parts from the packing materials.
2. Rotate the two upper and two lower brackets into position as shown.

IMPORTANT: DO NOT LOOSEN SCREWS TO SWIVEL BRACKETS. LOOSENING SCREWS WILL CAUSE INTERNAL LIQUID TO ESCAPE AND CAUSE PRODUCT DAMAGE.

3. Using the allen key provided, loosen the wiring box set screw. DO NOT remove the wiring box.
4. Rotate the wiring box as shown. Tighten the set screw firmly to prevent the wiring box from rotating.

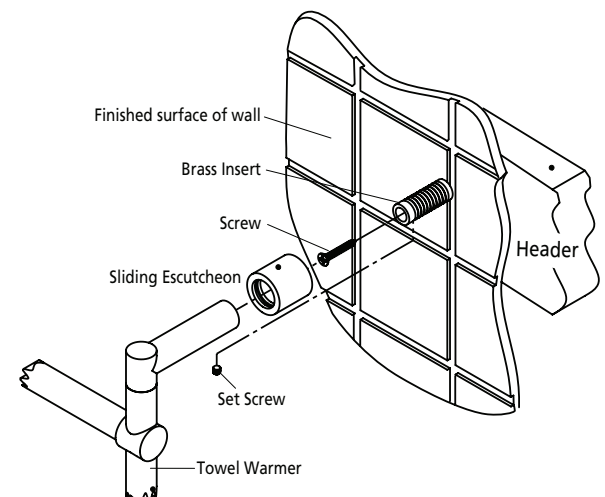
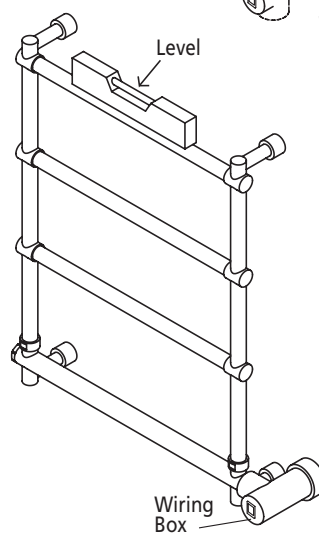
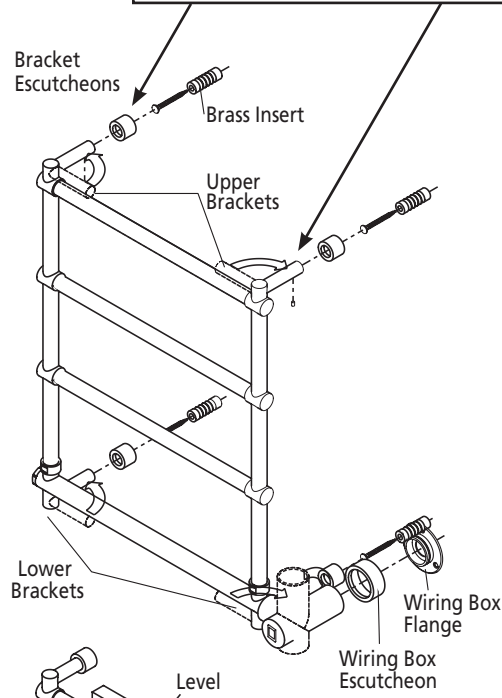
NOTE: The wiring box and brackets on model W542 can be rotated in either direction to result in a right or left handed wiring box.

5. Measure the towel warmer and mark the location where the brass inserts will be mounted to hang the towel warmer. Before securing the towel warmer to the wall check to ensure the mounting points are level.
6. Using the screws provided secure the brass inserts to the wall.
7. Gently slide the towel warmer onto the brass inserts as shown and mark the location for the wiring flange.
8. Remove the towel warmer and secure the flange to the wall per the instructions on page 7.
9. Before securing the towel warmer to the wall put an escutcheon on each of the 4 brackets. The open end of the escutcheon should face the wall as shown.
10. Secure the towel warmer to the brass inserts using the set screws provided. When the towel warmer is secured to the wall slide the escutcheons against the wall to hide the mounting point.

! WARNING If a single gang electric box has been roughed in See page 3 for instructions.

! WARNING Install Towel Warmers in upright position only. Locate with indicator light on bottom as shown. Failure to install properly may result in a hazardous condition.

IMPORTANT: DO NOT LOOSEN SCREWS ON TOP OR BOTTOM BRACKETS. LOOSENING SCREWS WILL CAUSE INTERNAL LIQUID TO ESCAPE AND CAUSE PRODUCT DAMAGE.



MODELS W500

! WARNING TO PREVENT SHOCK HAZARD, BE CERTAIN THAT ELECTRICITY IS TURNED OFF AT THE MAIN PANEL BEFORE ANY WIRING IS DONE.

Box Contents

- Towel Warmer
- (6) Screws
- (1) Upper Threaded Flange
- (1) Lower Wiring Flange
- (1) Small Allen Key
- (1) Large Allen Key
- Instruction & Operation Manual
- Warranty

1. Remove the Towel Warmer and parts from the packing materials.
2. Rotate the upper bracket as shown.

IMPORTANT: DO NOT LOOSEN SCREWS TO SWIVEL BRACKETS. LOOSENING SCREWS WILL CAUSE INTERNAL LIQUID TO ESCAPE AND CAUSE PRODUCT DAMAGE.

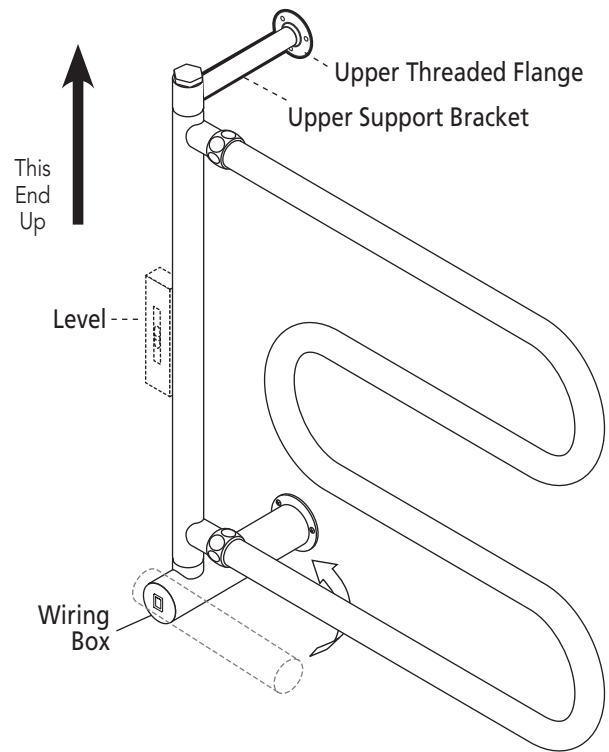
3. Spin on upper threaded flange as shown.
4. Using the smaller allen key provided, loosen the wiring box set screw. DO NOT remove the wiring box.
5. Rotate the wiring box as shown. Tighten the set screw firmly to prevent the wiring box from rotating.
6. Place the Towel Warmer in the desired location and mark the location of the upper threaded flange and wiring box. Use a level to insure proper alignment.

NOTE: the Towel Warmer swing range.

7. Mount the lower wiring box per instructions on page 7.

! WARNING If a single gang electric box has been roughed-in, then see page 3 for installation instructions.

! WARNING Install Towel Warmers in upright position only. Locate with indicator light on bottom as shown. Failure to install properly may result in overheating and a hazardous condition.



ELECTRICAL CONNECTIONS

Models W500, W542, W634

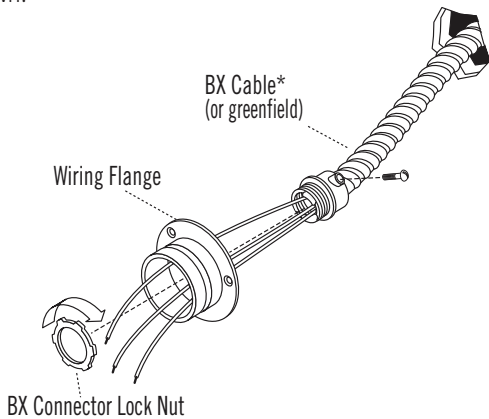
TO PREVENT SHOCK HAZARD, BE CERTAIN THAT ELECTRICITY IS TURNED OFF AT THE MAIN PANEL BEFORE ANY WIRING IS DONE.

! WARNING The towel warmer is an electronically operated device. It must be installed by a licensed electrician in accordance with local code and the National Electric Code (NEC).

! CAUTION Install a wall switch or timer to turn the towel warmer on and off.

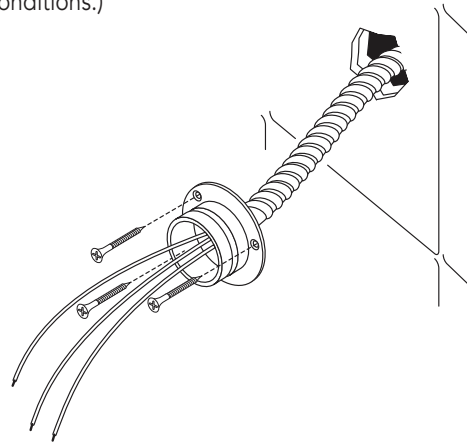
NOTE: When the towel warmer is energized, the indicator light on the towel warmer will illuminate. DO NOT alter or modify any Mr.Steam products. Doing so may result in an inoperable or hazardous installation and will void the warranty.

1. Assemble the BX cable connector to the wiring flange as shown.

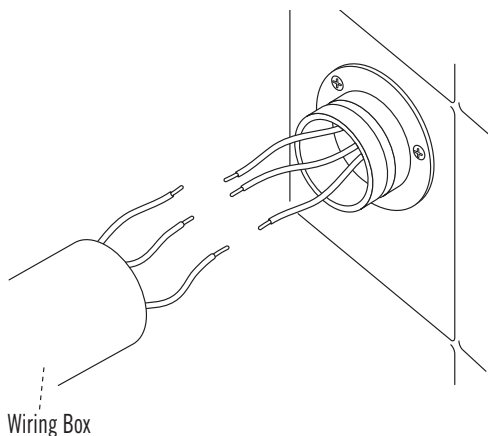


NOTE: NM (non-metallic) cable, if permitted by National and Local Codes may be used instead of BX cable

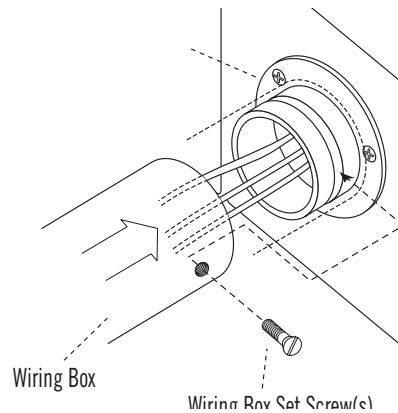
2. Secure wiring flange to the wall with screws provided. (Use longer screws as required by construction conditions.)



3. Connect wiring per instructions page 8



4. Slide the wiring box onto the wiring flange and tighten the set screw firmly. Secure the upper threaded flanges and lower bracket with screws provided.



NOTE: The Towel Warmer wires are color coded: BLACK for LINE, WHITE for NEUTRAL, GREEN/YELLOW for EQUIPMENT GROUND.

! WARNING If a single gang electric box has been roughed-in, see page 3 for instructions

! WARNING Install Towel Warmers in upright position only. Locate with switch on bottom as shown. Failure to install properly may result in overheating and a hazardous condition.

ELECTRICAL SPECIFICATIONS Field Wired Models: W500, W542, W634

Electrical Connections

! WARNING TO PREVENT SHOCK HAZARD, BE CERTAIN THAT ELECTRICITY IS TURNED OFF AT THE MAIN PANEL BEFORE ANY WIRING IS DONE.

All wiring must conform to National Electrical and Local Codes.

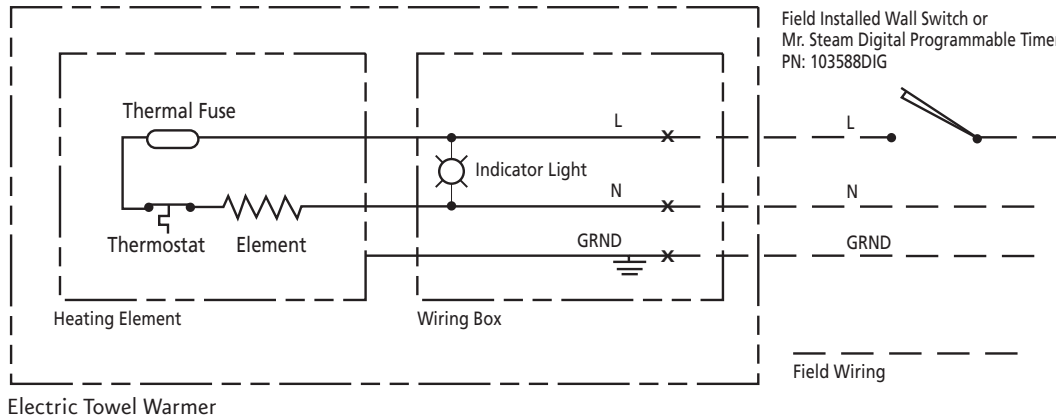
GENERAL:

The Towel Warmer requires 120VAC, 60 Hz power supply.

Specific amperage needed is listed in the Towel Warmer Specifications Chart on page 2 of PUR 103852.

- A. Electrical connections should be made as prescribed by the National Electric and Local Codes. The unit should be field wired using 14 AWG min 90°C-rated copper wire. All models are to be protected by a separate 15 amp circuit breaker or equal.
- B. Make connections between Towel Warmer and house wiring using approved connections to comply with National Electrical Local Codes. LINE (black), NEUTRAL (white), and GROUND.
- C. Install the Towel Warmer according to the specific instructions for each model.

! WARNING TO PREVENT SHOCK HAZARD, NO BARE WIRE OR WIRE STRANDS SHOULD BE VISIBLE AFTER MAKING CONNECTIONS.



AVAILABLE DIGITAL PROGRAMMABLE TIMER

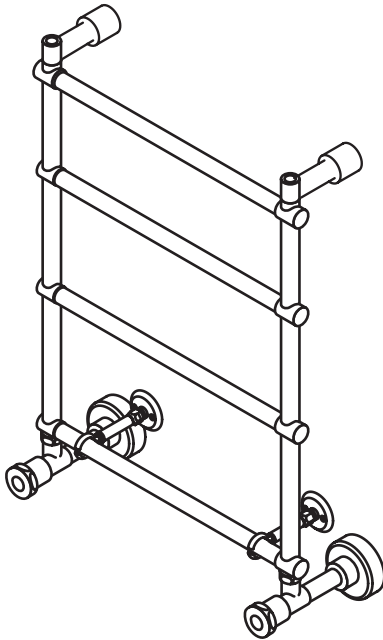
Installation: To The Installer

1. Read the operating instructions provided with the timer.
2. Disconnect power supply prior to installation to prevent electrical shock.
3. Damage to the contacts caused by short circuiting will void the warranty.
4. Wire in accordance with National Electrical and Local Code requirements. Be sure all connections are secure. Double check all twist-on wire connectors.
5. Mount timer into wall box using supplied screws.
6. If timer does not operate, check that the timer's black wire is connected to hot line and not the load. If necessary, reverse connections to red and black wires
7. When the indicator light on the towel warmer is illuminated, the towel warmer is energized.

AVAILABLE DECORATIVE FACEPLATE FOR TIMER:

| | | | |
|-----------------|------------|-------------------|-------------|
| Polished Chrome | 103872D-PC | Polished Nickel | 103872D-PN |
| Brushed Nickel | 103872D-BN | Oil Rubbed Bronze | 103872D-ORB |

HYDRONIC MODEL H542



! WARNING Suitable only for closed loop non-potable hot water systems. Tighten Towel Warmer unions only. Do not turn valves as leaking may result

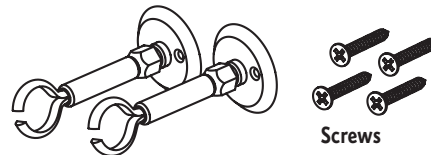
! WARNING Do not use with water over 158 degrees F. (70° C) Do not use with steam. Using with steam or water over 158 degrees F or 20 psig, may result in scalding or hazardous conditions.

! CAUTION

1. Read this entire instruction manual thoroughly before beginning installation and save these instructions.
2. Follow instructions accurately to make certain the Towel Warmer is properly attached to the wall. FAILURE TO FOLLOW THESE STEPS COULD RESULT IN PROBLEMS.
3. Do not use an abrasive cleaner on the Towel Warmer. A mild detergent will clean and restore most units to their original beauty.
4. TO ENSURE FULL EFFICIENCY OF YOUR TOWEL WARMER, PLEASE FOLLOW ALL THE INSTRUCTIONS CAREFULLY, OBSERVING THE "CAUTION" NOTATIONS FOR EACH STEP.
5. Inlet water temperature should be between 120°F and 158°F. DO NOT exceed this limit. A burn hazard may result.

DO NOT alter or modify any Mr. Steam products. Doing so may result in an inoperable or hazardous installation and will void the warranty.

Optional Brackets

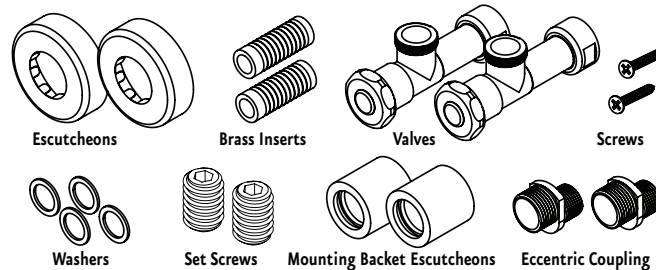


Additional towel warmer support brackets are available for installations where plumbing does not provide a rigid support to secure the towel warmer to the wall.

Bracket Part Numbers and Optional Finishes

Polished Chrome 103959PC Polished Nickel 103959BN

Towel Warmer Installation Parts - Figure 1



STEP 1: PRE-INSTALLATION

A. Select Installation Site: Make certain there is ample clearance on both sides and back of the Towel Warmer.

NOTE: This unit is supplied with the proper hardware for installation. Be sure wall construction is appropriate for hanging (see Step 3A, pg.11).

B. Before beginning the installation of any Mr.Steam Hydronic Towel Warmer, please note the following:

Maximum operating temperature should not exceed 158°F. Any working water temperature higher than 158°F could create a potential burn hazard.

NOTE: A closed loop non-potable hot water system is recommended. Consult an authorized hot water system installer for hot water system types.

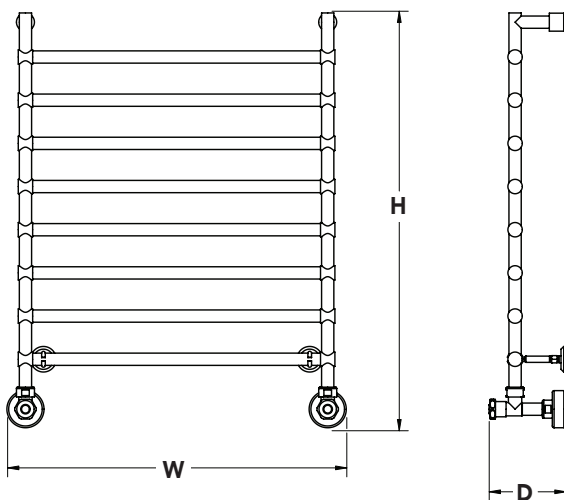
STEP 2: INSPECT THE TOWEL WARMER

A. Unpack the Mr.Steam Towel Warmer carefully to avoid any damage or loss of any part. When opening the box and unwrapping the Towel Warmer, be sure that parts are not accidentally discarded (see illustration, Fig 1, pg.9).

B. Mr.Steam Hydronic Towel Warmers are shipped in specially designed shipping cartons. The entire surface of the Towel Warmer is hand-wrapped to protect the finish. Check the for any sign of damage.

| HOT WATER TOWEL WARMERS | | | | | |
|-------------------------|---------------------------------|----|---|---------|----------------|
| Model | Dimensions (inches) | | | BTU/hr† | Weight (lbs.)* |
| | H | W | D | | |
| H542 | 29 ⁷ / ₁₆ | 21 | 5 | 500 | 20 |

†At 158° F *without water



WALL PREPARATION

CAUTION

- DO NOT mount the Towel Warmer without providing structurally secure headers as shown.
- DO NOT mount the Towel Warmer directly to sheet rock or any other non-structural surface.
- Use longer fasteners as required if the finished wall surface prevents adequate mounting with the screws provided.
- The recommended location for the optional lower brackets is on the bottom most rung of the Towel Warmer as shown.

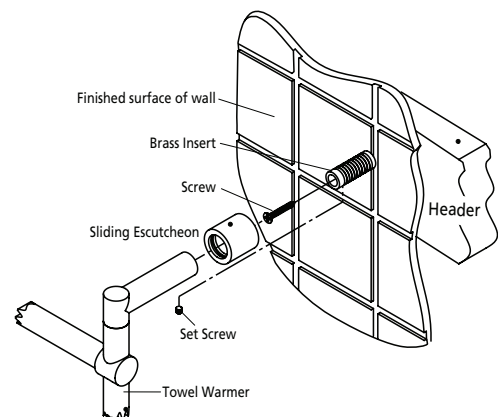
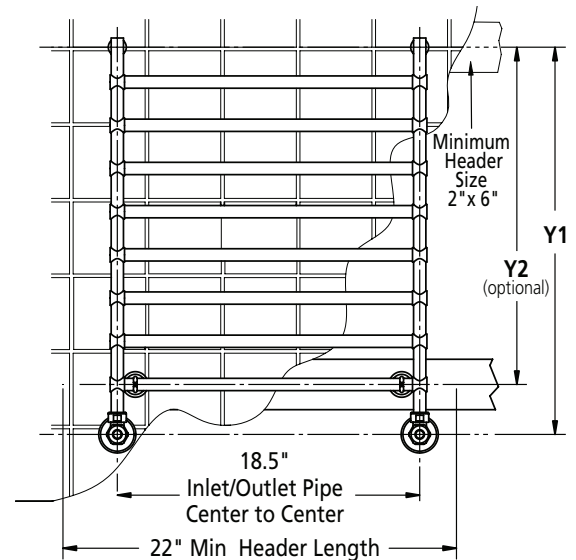
MOUNTING DIMENSIONS (inches)

| MODEL | Y1 | Y2 |
|-------|---------------------------------|---------------------------------|
| H 542 | 26 ⁷ / ₁₆ | 22 ⁷ / ₁₆ |

*Inlet/outlet pipe to be 18¹/₂" apart for all models

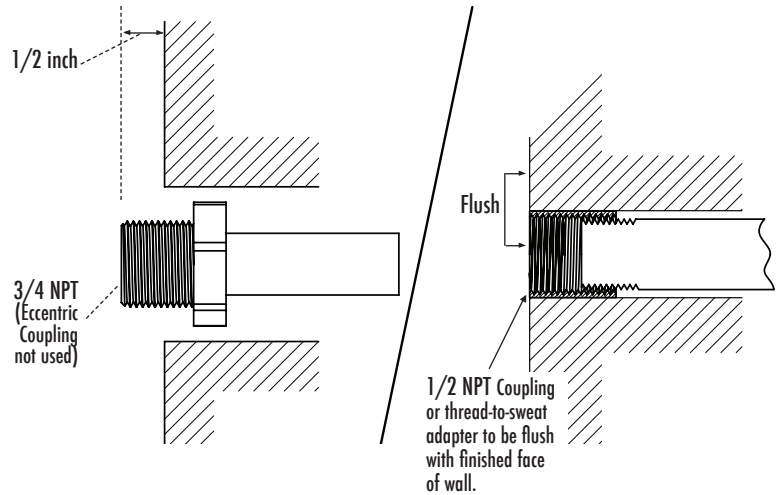
IMPORTANT NOTE: Towel Warmers may have small dimensional variations and must be measured prior to installation.

For Technical Service Assistance: East Coast Tel: 1-800-767-8326
West Coast Tel: 1-800-727-8326

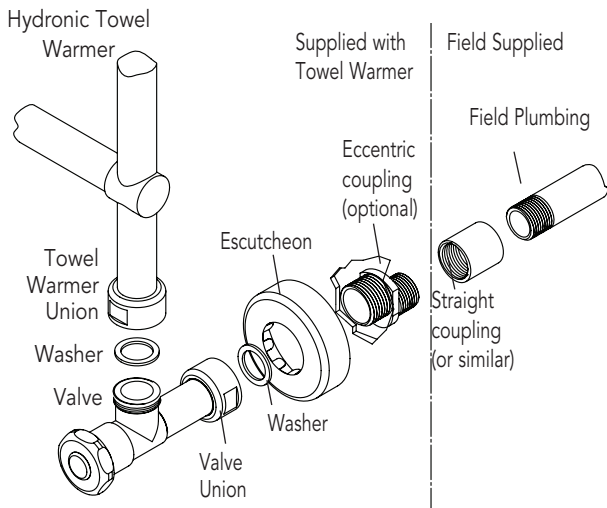


PLUMBING PREPARATION

- If the eccentric coupling is used, a female 1/2 NPT coupling or thread-to-sweat adapter should be flush with the finished face of the wall.
- If the eccentric coupling is not used a male 3/4 NPT pipe, coupling or thread to sweat adapter shall be 1/2 inch beyond the finished face of the wall.



HYDRONIC HOOK-UP



STEP 3: INSTALLATION

A. Mounting:

1. The Mr.Steam Towel Warmer has been designed with integral mounting brackets. These will facilitate a permanent and secure mounting of the Towel Warmer to the wall using the screws provided.
2. Locate the brass inserts according to the following chart:

Vertical Distance from Inlet/Outlet Pipe centerline

H542 6-7/16"

(All inlet/outlet pipes are 18 1/2" apart.)

3. Slide a bracket escutcheon (with the 'O' ring facing the towel warmer) on each of the mounting brackets.
4. Slide the towel warmer on the brass inserts and tighten the set screws on both brackets. Slide the escutcheons against the wall to hide the joint.
5. The recommended location for optional lower brackets is on the bottom rung of the Towel Warmer, a sufficient header should be provided for these brackets.

STEP 3: INSTALLATION (cont.)

B. Valve Installation:

1. Place a washer between the threaded portion of the valve and the Towel Warmer union. Carefully tighten the union to secure the valve to the Towel Warmer.
2. Slide the escutcheon onto the valve over the valve union.
3. After the plumbing has been prepared as described place a washer between the valve union and coupling. Carefully tighten the union to connect the valve to the plumbing.
4. Slide the escutcheon over the valve union to cover the inlet and outlet plumbing.

IMPORTANT: There are two valves which come with Mr.Steam Hydronic Towel Warmers. One valve should always be left open, the other valve can be opened or closed. These valves seal only in the fully open (turn valve handle counter clockwise) or full closed (turn valve handle clockwise) position. Using the valve to throttle the water flow will result in a leak at the valve stem.

5. When all connections are complete, vent the unit using the bleed valve as shown.

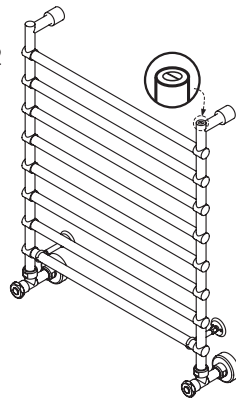
CAUTION DO NOT TURN THE VALVE BODY, TURN THE UNION ONLY. TURNING THE VALVE MAY RESULT IN LEAKS.

6. Check all connections for leaks.

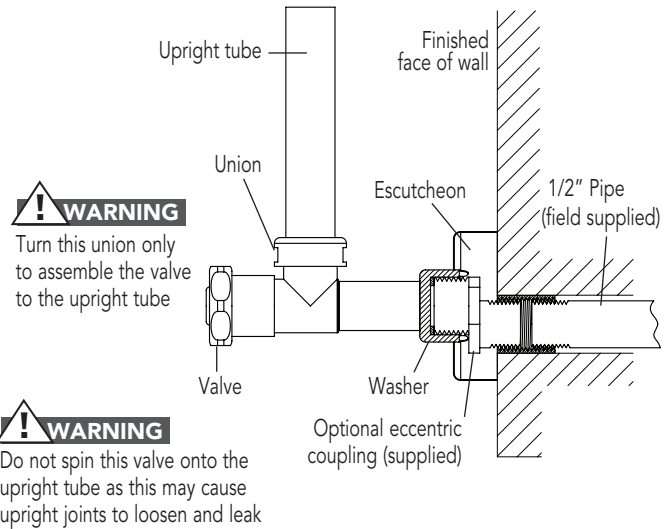
CAUTION DO NOT open the bleed screw when the unit is pressurized as hot water may present a scalding hazard. (see Step 6 in installation)

Bleed screw location for models H542

WARNING
Make sure the bleed screw is securely tightened and not leaking.



VALVE INSTALLATION



STEP 4: OPERATION & MAINTENANCE

CLEANING: The finish of your Mr.Steam Towel Warmer can be protected and maintained by an occasional wiping with a dampened cloth and lightly polished thereafter with a soft dry cloth. Under no circumstances should abrasive cleaning powders or metal polish be used on any part of a chrome or gold plated Towel Warmer.

WARRANTY

To view or download the Mr. Steam Towel Warmer Warranty and register your product go to:

blog.mrsteam.com/wr

