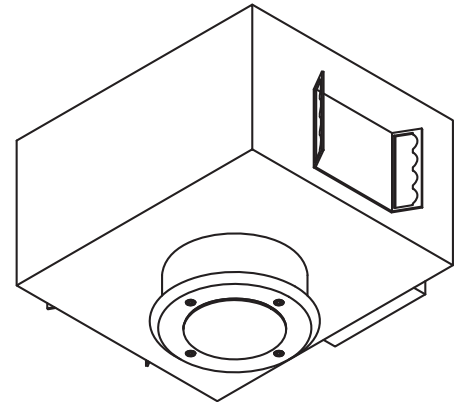
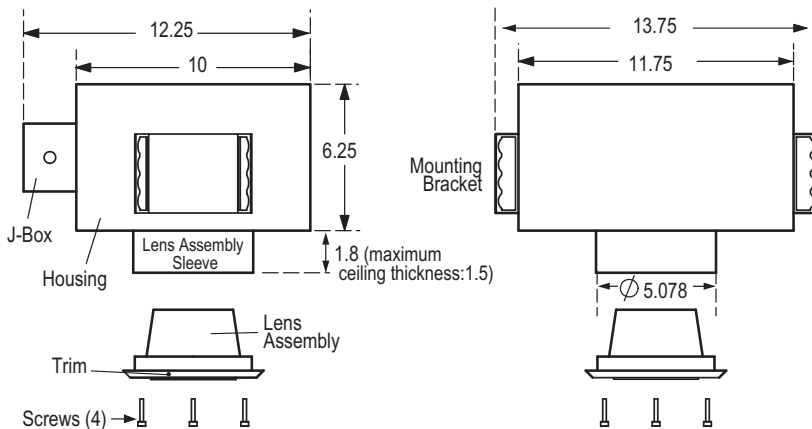


### MS/CU Recessed Light

- Uses a Halogen PAR 30, 75 Watt lamp or energy efficient equivalent
- Designed for recessed ceiling mounting
- Designed for steam room moisture and temperature levels
- Operates on 120 Volts
- cETLus listed
- 14" L x 12.5"W x 8.25"H
- Can be controlled from a wall switch or dimmer switch
- Ease of install with standard sized hanger bars
- Attached junction box for installation safety



**FOR ILLUSTRATIVE PURPOSES ONLY. IMPORTANT NOTE: FOR SAFE AND TROUBLE FREE INSTALLATION** visit [mrsteam.com](http://mrsteam.com) before installation to download the Installation, Operation and Maintenance Manual or refer to the manual provided with the unit.

| MODEL                                 |   | FINISH     |               | PROJECT INFORMATION |  |
|---------------------------------------|---|------------|---------------|---------------------|--|
| <input type="checkbox"/> MS Light-RCS | <input type="checkbox"/> SS-Stainless Steel | Location:  | Contractor:   |                     |  |
| <input type="checkbox"/> CU Light-RCS | <input type="checkbox"/> NKL-Nickel         | Architect: | Submitted By: |                     |  |
|                                       |   | Engineer:  | Date:         |                     |  |
| Notes:                                |   |            |               |                     |  |