

CU AromaFlo

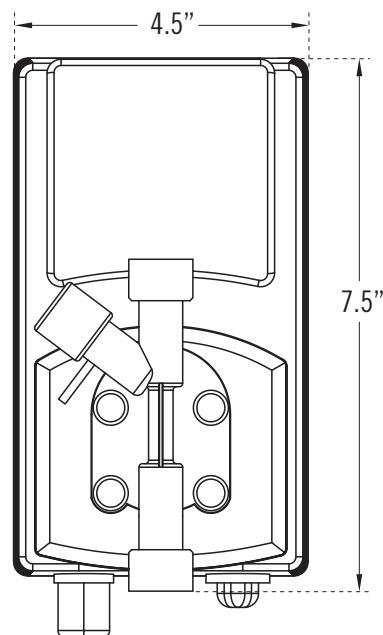
BOX CONTENTS:

- Metering Pump
- 6 ft Pressure Hose
- 2 ft Suction Hose with Filter
- 1/2 inch NPT Atomizing Nozzle
- Injector with Injection Line
- Receptacle and Faceplate
- Warning Sign
- Installation & Operation Manual

- Electronic oil delivery system works in conjunction with the Digital 1 Control to evenly infuse scent into the steam
- Complete with hoses, fittings and oil atomizer
- AromaSteam System oils available in one gallon bottles.
- The AromaSteam is rated 0.5 Amps at 120 VAC
- cULus Listed

Mr. Steam offers special formulated & packaged oils for use with the AromaFlo in the following fragrances:

- CU Eucalyptus
- CU Lavender



Dimensions:	7.5"W x 4.5"H x 4.5"D
Weight:	5 pounds
Motor voltage	120 VAC, 50/60 Hz
Current Draw	0.5 Amps

! WARNING Not for use in acrylic or fiberglass rooms.

FOR ILLUSTRATIVE PURPOSES ONLY. IMPORTANT NOTE: FOR SAFE AND TROUBLE FREE INSTALLATION visit mrsteam.com before installation to download the Installation, Operation and Maintenance Manual or refer to the manual provided with the unit.

MODEL	PROJECT INFORMATION	
CU AromaFlo	Location:	Contractor:
	Architect:	Submitted By:
	Engineer:	Date:
Notes:		