

ChromaSteam®

BOX CONTENTS

The MS CHROMA includes all of the following:

- (1) Installation and Operation Manual
- (1) Light Fixture, Lens & LED Cluster
- (1) Tube of Silicone
- (1) 30 ft. cable for use with eTempoPlus

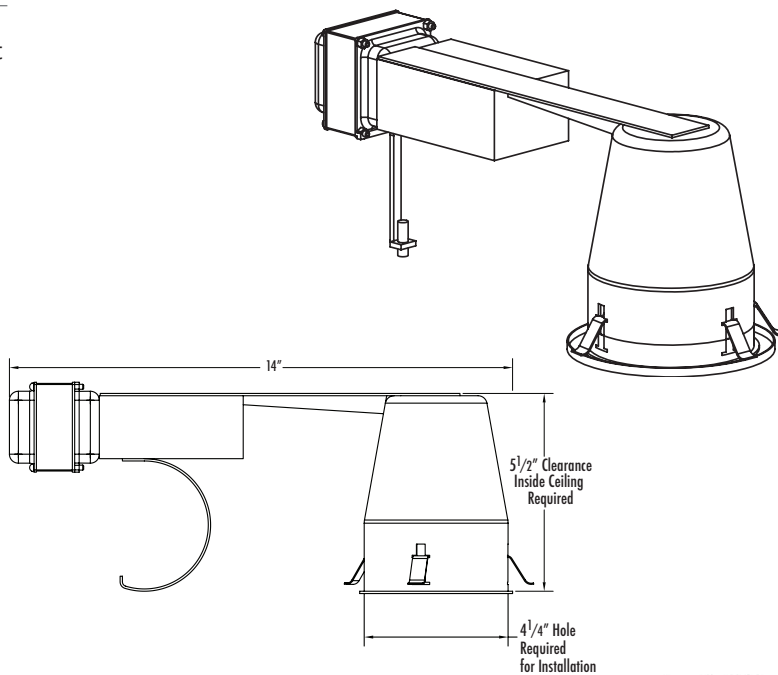
IMPORTANT NOTE: The ChromaSteam® System is for mood lighting only and not a substitute for general illumination.

ChromaSteam® is rated 14.4 watts at 120 VAC



Depending on the installation, the user can select from the following color modes using either a standard wall switch or the CHROMA button on their iSteam® or iTempoPlus® control.

- | | |
|-----------------|---|
| a. Bright White | f. Green |
| b. Blue/Green | g. Red |
| c. Violet | h. Chameleon
(slow automatic cycle) |
| d. Blue | i. Party Mode
(fast automatic cycle) |
| e. Yellow | |



FOR ILLUSTRATIVE PURPOSES ONLY. IMPORTANT NOTE: FOR SAFE AND TROUBLE FREE INSTALLATION visit mrsteam.com or scan the QR code before installation to download the Installation, Operation and Maintenance Manual or refer to the manual provided with the unit.



MODEL	PROJECT INFORMATION	
MS CHROMA-72	Location:	Contractor:
	Architect:	Submitted By:
	Engineer:	Date:
Notes:		

ChromaSteam3™

ChromaSteam3 is only for use with iSteam3

BOX CONTENTS

The MSCHROMA3 includes all of the following:

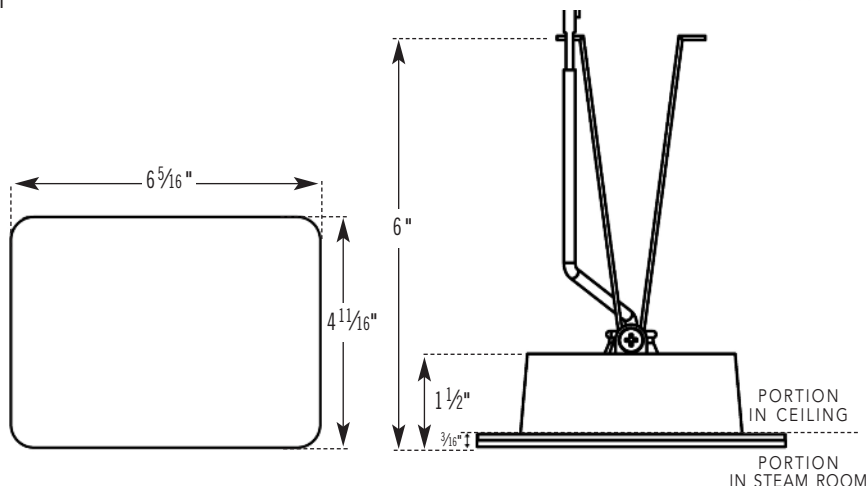
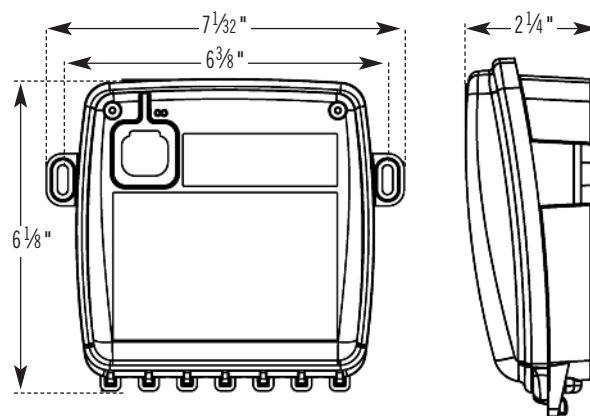
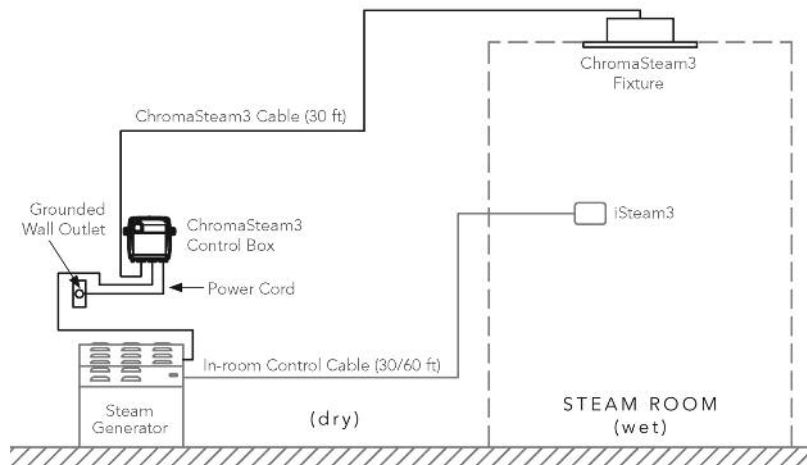
- (1) Installation and Operation Manual
- (1) Light Fixture, LED Controller
- (1) Tube of Silicone
- (1) 30 ft. cable
- Rough-in Box

IMPORTANT NOTE: The ChromaSteam System is for mood lighting only and not a substitute for general illumination.

ChromaSteam3 is rated 0.4 amps at 120 VAC

The ChromaSteam3 System allows you to select color and modes directly from the iSteam3 control. The built-in color micro-processor allows you to choose one color from the color selection wheel and set color intensity. Included low voltage power supply. Available in white or black.

For mood lighting only.



FOR ILLUSTRATIVE PURPOSES ONLY.

IMPORTANT NOTE: FOR SAFE AND TROUBLE FREE INSTALLATION visit mrsteam.com or scan the QR code before installation to download the Installation, Operation and Maintenance Manual or refer to the manual provided with the unit.

MODEL	BEZEL COLOR	PROJECT INFORMATION	
MSCHROMA3	<input type="checkbox"/> BK Black	Location:	Contractor:
	<input type="checkbox"/> WH White	Architect:	Submitted By:
		Engineer:	Date:
Notes:			