

AromaSteam

CONTENTS:

- 6 Feet of Pressure Hose
- 1 Feet of Suction Hose
- One Directional Check Valve
- Installation and Operation Manual

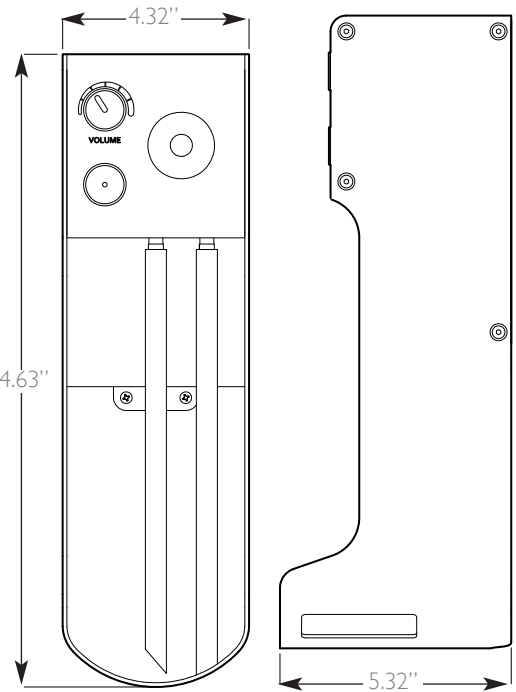
FEATURES:

- Electronic oil delivery system evenly infuses scent into steam
- Complete with hoses, fittings and check valve
- Can be controlled directly from an AirTempo® iSteam® or iTempoPlus®
- AromaSteam System oils available in one-liter bottles
- The AromaSteam is rated 0.5 Amps at 120 VAC
- cULus Listed

NOTE: AromaSteam is for use with AirTempo®, iSteam® or iTempoPlus® only

Mr.Steam offers special formulated & packaged oils for use with the AromaSteam in the following fragrances:

- MS OIL 1: Eucalyptus
- MS OIL 2: Lavender
- MS OIL 3: Evergreen
- MS OIL 4: Energizing Mint
- MS OIL 5: Breathe



Dimensions:	4.32"W x 14.63"H x 5.32"D
Weight:	5 pounds
Motor voltage	120 VAC, 50/60 Hz
Current Draw	0.5 Amps

! WARNING Not for use in acrylic or fiberglass rooms.

FOR ILLUSTRATIVE PURPOSES ONLY. IMPORTANT NOTE: FOR SAFE AND TROUBLE FREE INSTALLATION

visit mrsteam.com before installation to download the Installation, Operation and Maintenance Manual or refer to the manual provided with the unit.

MODEL	PROJECT INFORMATION	
MS AROMA	Location:	Contractor:
	Architect:	Submitted By:
	Engineer:	Date:
Notes:		